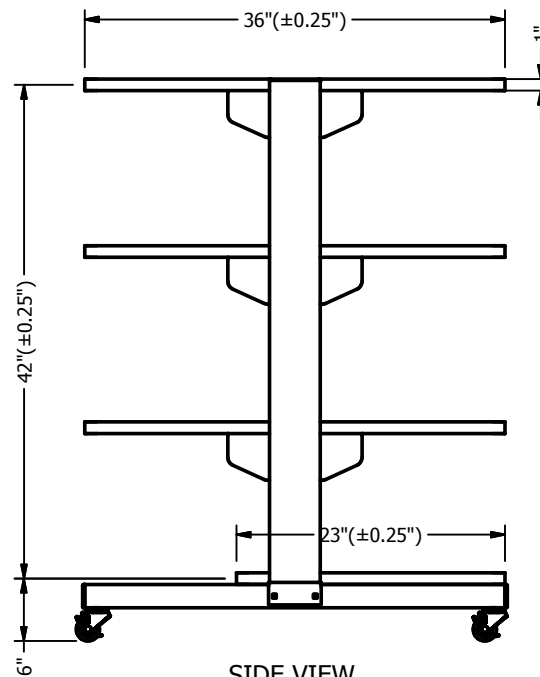
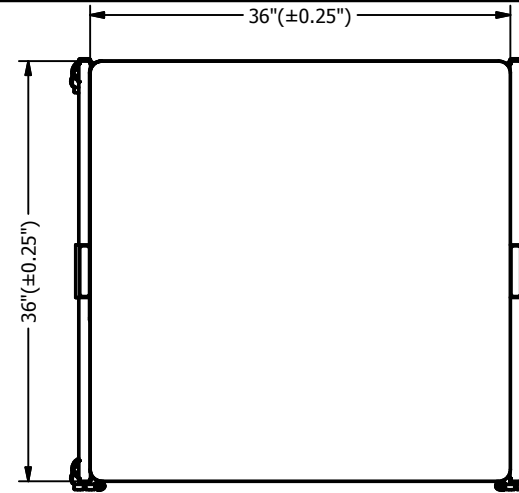


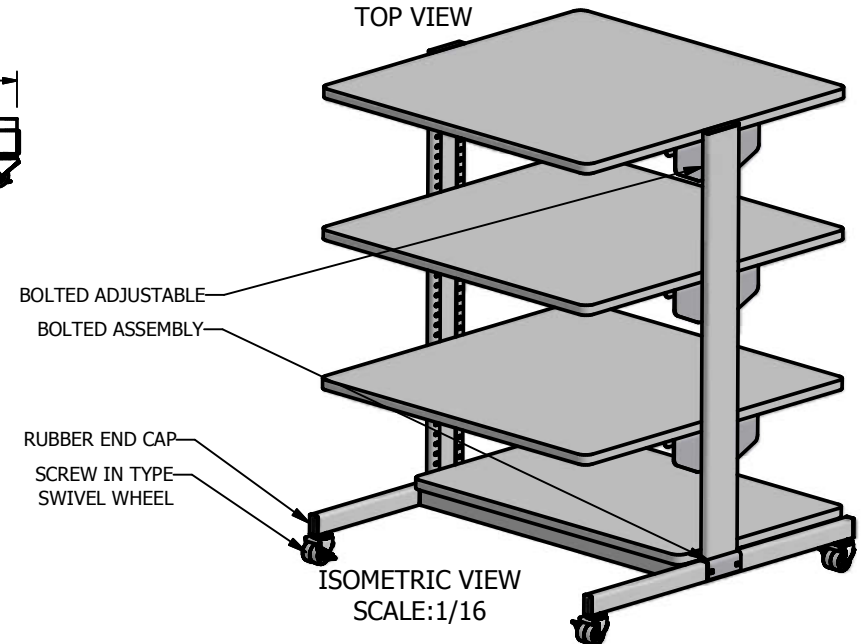
FRONT VIEW



SIDE VIEW



TOP VIEW



ISOMETRIC VIEW
SCALE: 1/16

All Holes to be punched unless specified otherwise

All Slots to be punched unless specified otherwise

NOTES:

MATERIAL:

DRAWN BY: ML

DATE: 09/10/2024

DESCRIPTION: AA_Cart_30x36x48

APPROVED:

PART: AA_SC222430_3SH_02_36x30x48_rev

SHEET 1 OF 1
SCALE: 1/16

PATH: L:\SHARE\Mario\AA Carts
Revised\36x30x48\AA_Cart_30x36x48_rev.idw