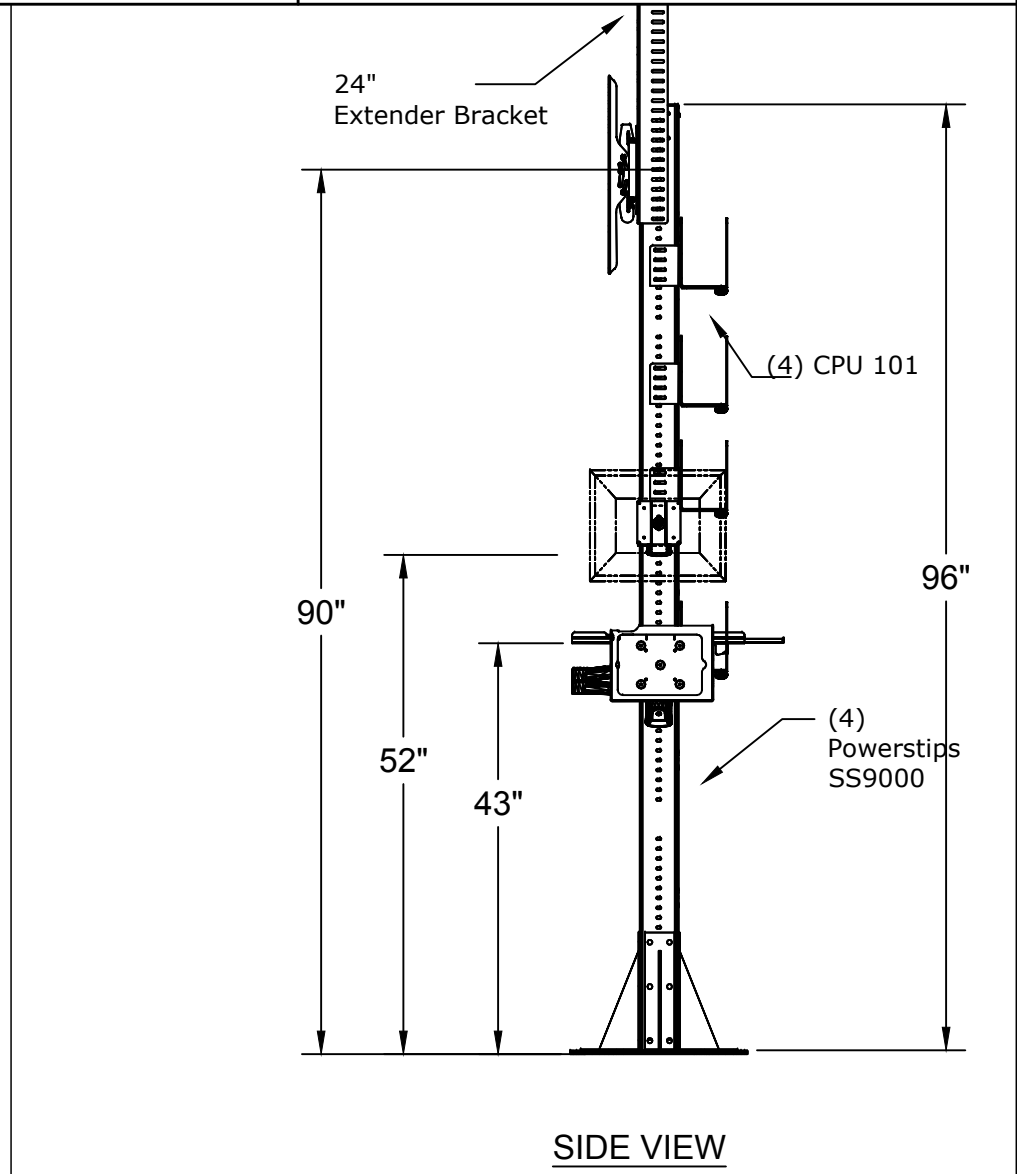


ISO VIEW



SIDE VIEW

<p>NOTES :</p> <p>CONCEPT: <u>FINAL DESIGN MAY VARY</u></p>	<p>MATERIAL : AS NOTED ABOVE</p>	<p>DRAWN BY: YE</p>	<p>DATE: 2/21/19</p>	<p>DESCRIPTION : FLOOR MOUNT</p>		
	<p>TOLERANCES UNLESS OTHERWISE SPECIFIED</p>	<p>A P P R O V E D</p>		<p>USED ON :</p>		
	<p>FRACTIONAL ±1/64 2 PLG. DEC. ±.01 3PLG. DEC. ±.001 ANGULAR ±.5° FINISH √</p>	<p>ENG :</p>	<p>MFG :</p>	<p>QA :</p>	<p>PATH :</p>	
		<p>SCALE : N.T.S.</p>	<p>SHEET : 1 OF 1</p>	<p>PDF NAME: FM96_3255_2F_KB84Z_IPAD_4C_01</p>	<p>REV: A</p>	<p>SIZE A</p>