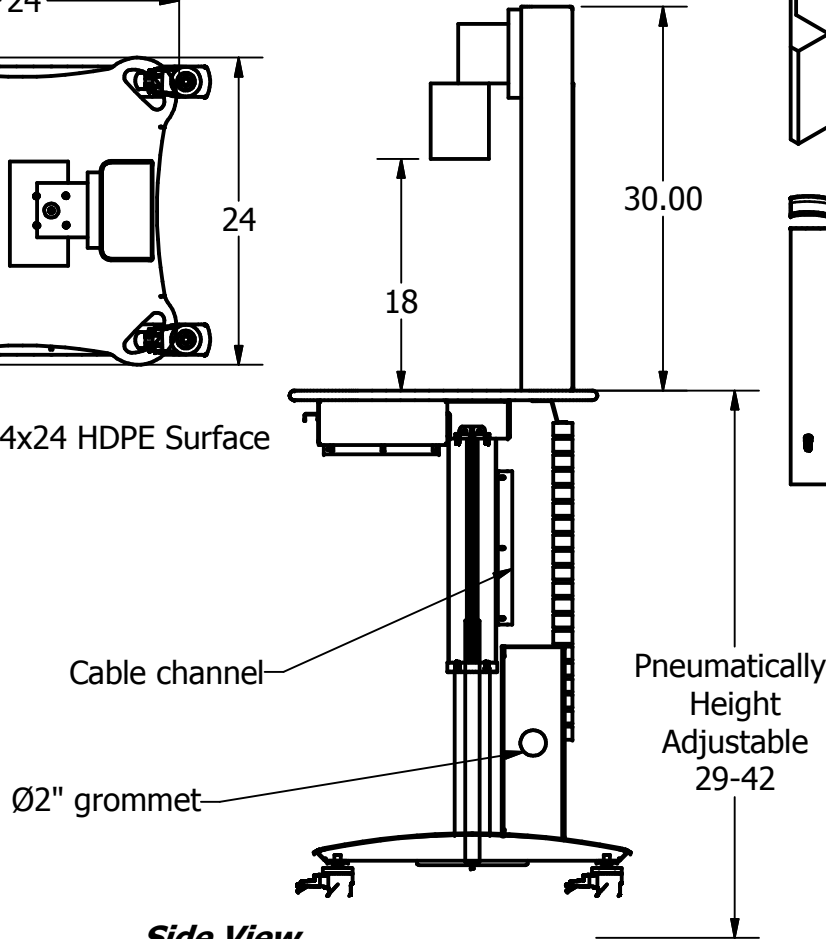
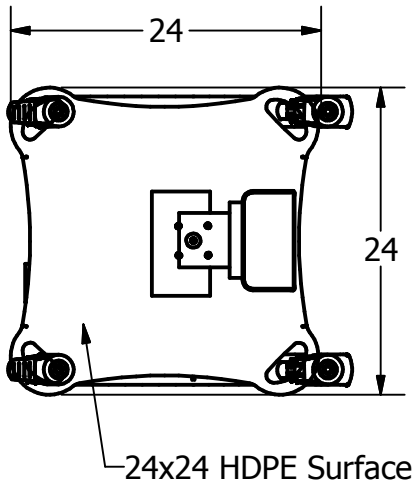
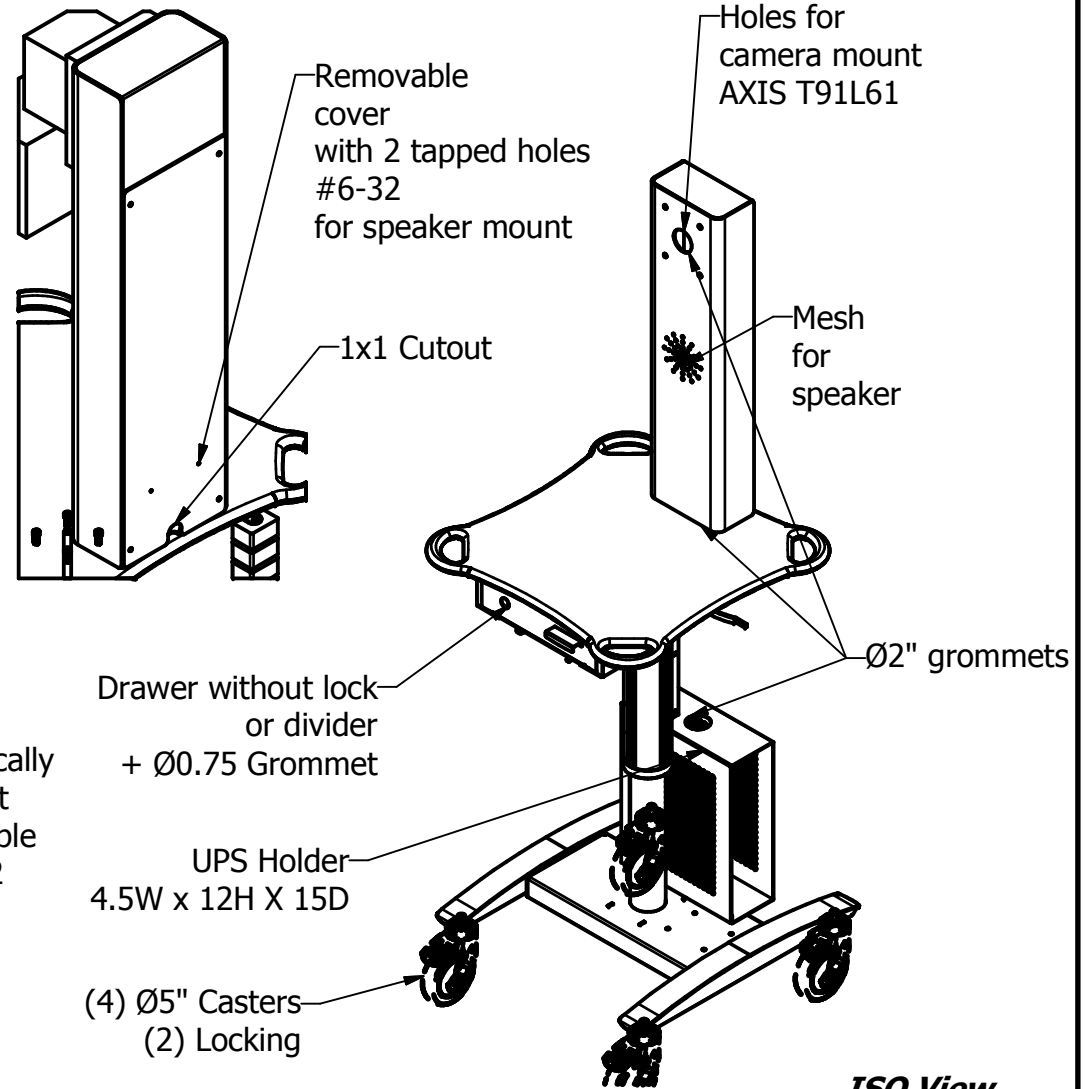


Top View
Scale 1:15



Side View
Scale 1:15



ISO View
Scale 1:12

RRT-PC800_2424_CAM_DRW_CPU_01

NOTES:
Final Design May Vary

Tolerances:
Height ±1"
Surface Dims. ± 0.5"

SHEET 1 OF 1
SCALE: As Shown

DATE: 8/17/2022

DRAWN BY: RR

DESCRIPTION:

P/N: RRT-PC800_2424_CAM_DRW_CPU_01.idw

PATH: \\AFCFS2\Engineering\PP&T-DWG\1 INVENTOR CONTENT
CENTER\Library\FinalAssem-SoldToCustomers\Customer\RR
TECH\RRT-PC800_2424_CAM_DRW_CPU_01.idw