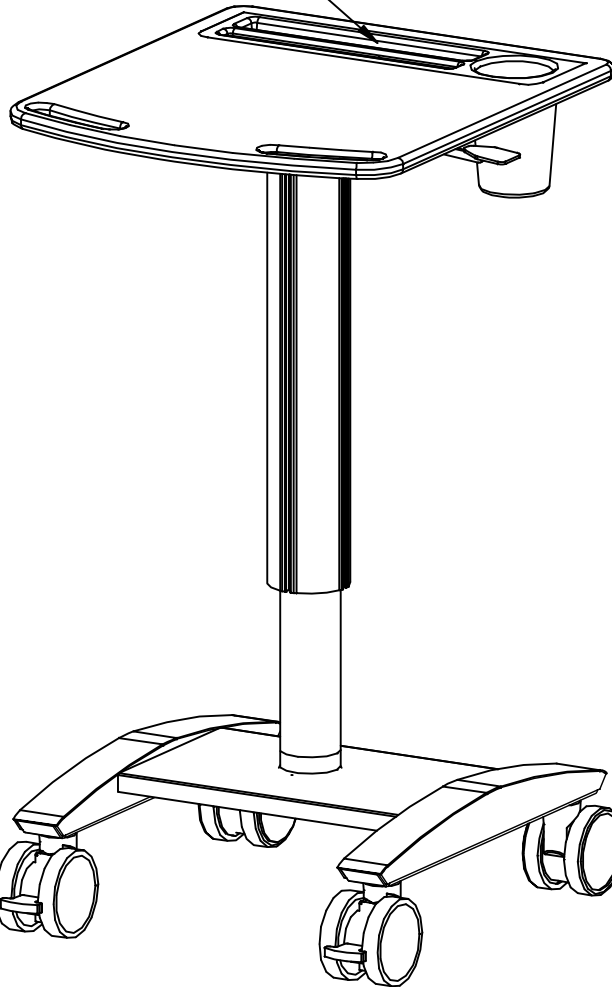


TOP VIEW

Pencil Holder



**Pneumatically
Height
Adjustable
28-44"**

ISOMETRIC VIEW

(4)4" Casters
(2) Locking

Note : 200N **±1"	DRAWN BY : BD/GM	05-14-17	DESCRIPTION :
	A P P R O V E D		PC CART
TOLERANCES UNLESS OTHERWISE SPECIFIED FRACTIONAL ±1/64 2 PLC. DEC. ±.01 3PLC. DEC. ±.001 ANGULAR ±.5° FINISH √	ENG :		USED ON :
	MFG :		PATH :
	QA :		PDF NAME:
	SCALE: N.T.S.	SHEET : 1 of 1	PC800_2123_PNC_01