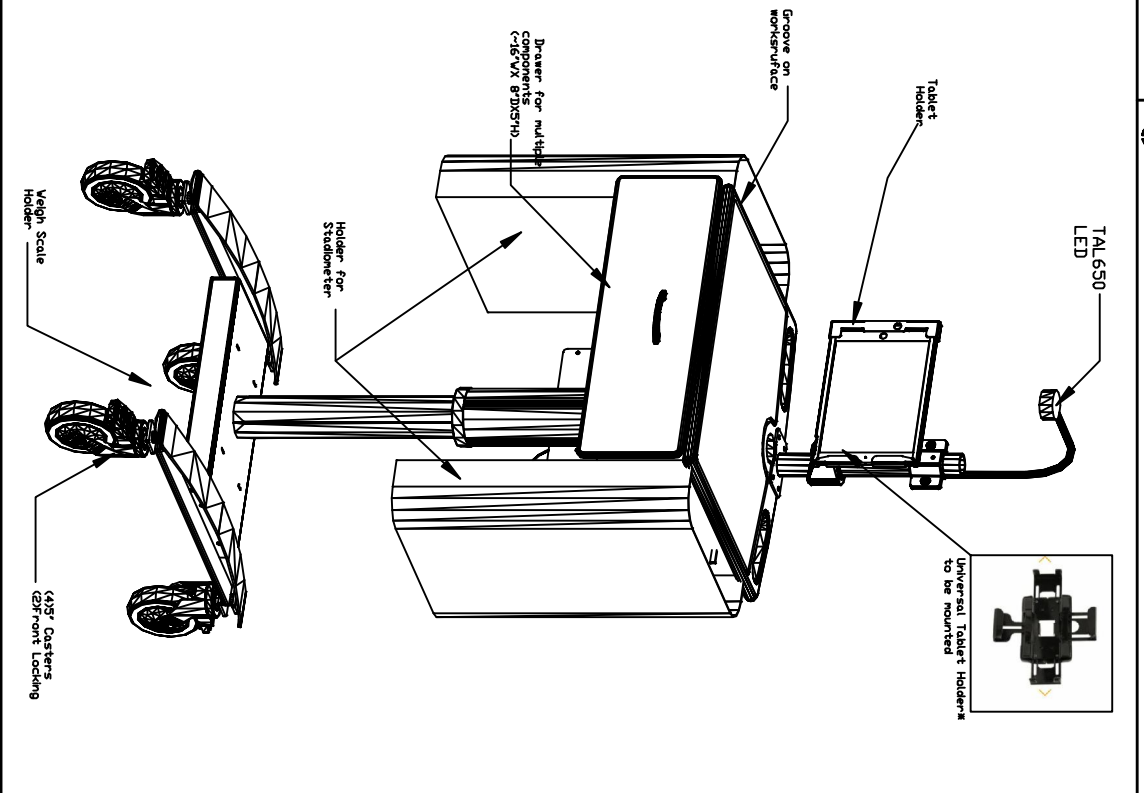
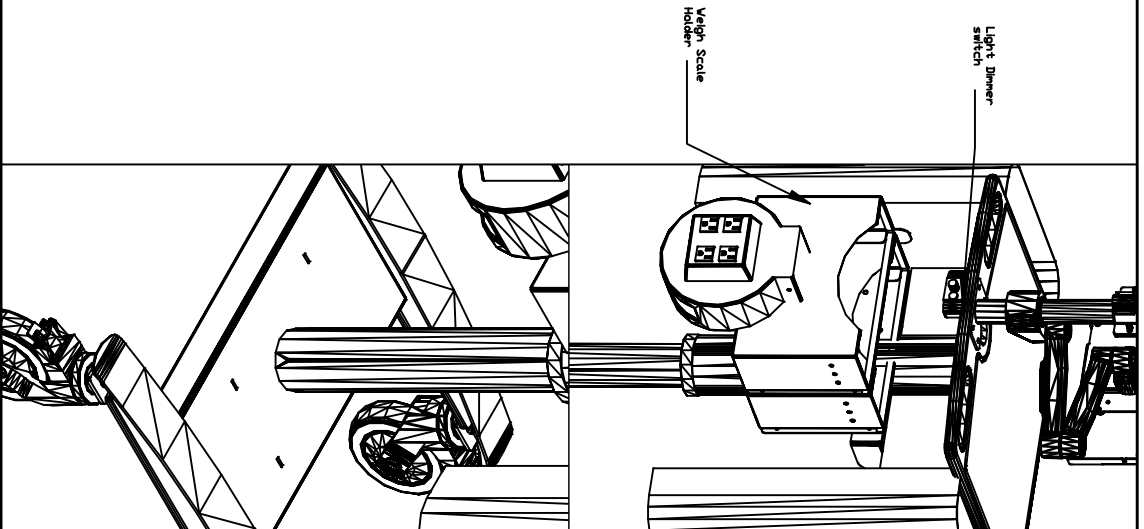
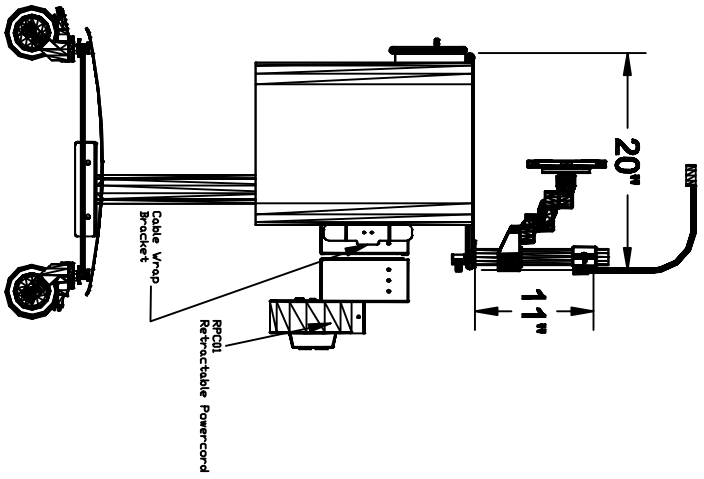
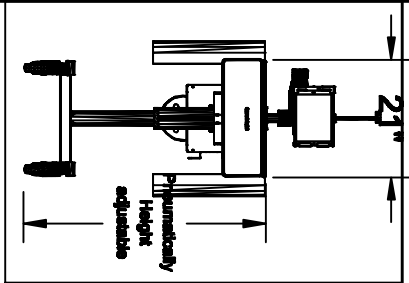


THE PLANS AND DRAWINGS CONTAINED HEREIN ARE PROPRIETARY AND MAY NOT BE COPIED OR REPRODUCED MECHANICALLY, ELECTRONICALLY OR BY ANY MEANS WITHOUT WRITTEN PERMISSION FROM AFC INDUSTRIES, INC.



NOTES : MATERIAL : .

APPROVED

DATE: 10/13/23

DESCRIPTION :

TOLERANCES UNLESS OTHERWISE SPECIFIED

FRACTIONAL ±1/84
2 P.L.C. DEC. ±.01
3 P.L.C. DEC. ±.001
ANGULAR
FINISH

DRAWN BY: BD/GM

USED ON :

PATH :

ENG :

PDF NAME:

TXTH-212042-01-V3

MFG :

REV: SIZE

A

QA :

SCALE: ~1-1/2" = 1'-0"

SHEET: 1 OF 1