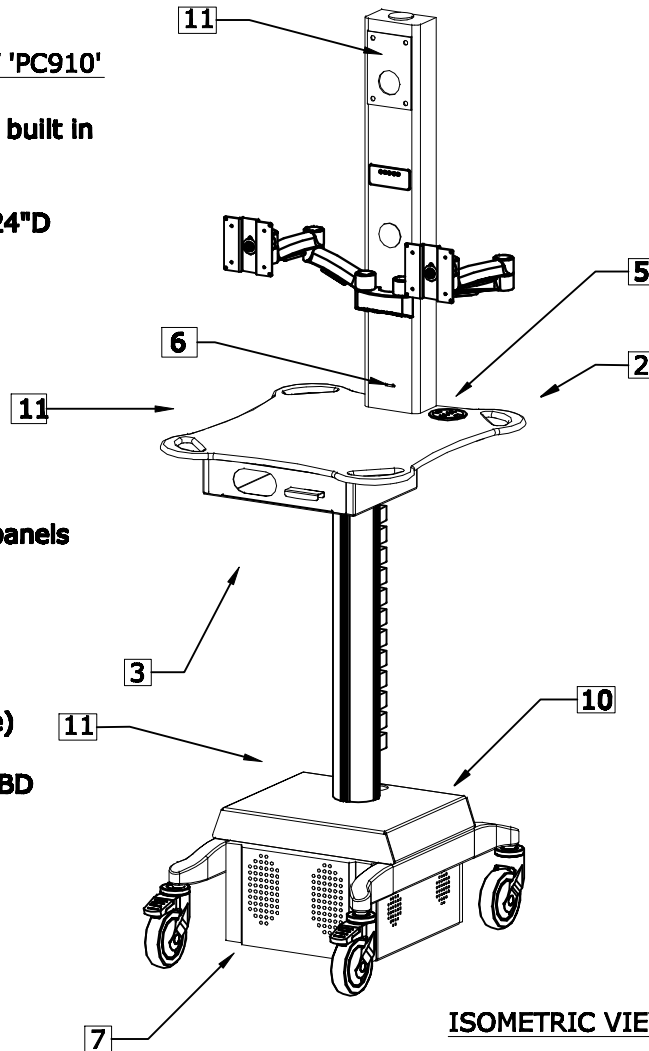


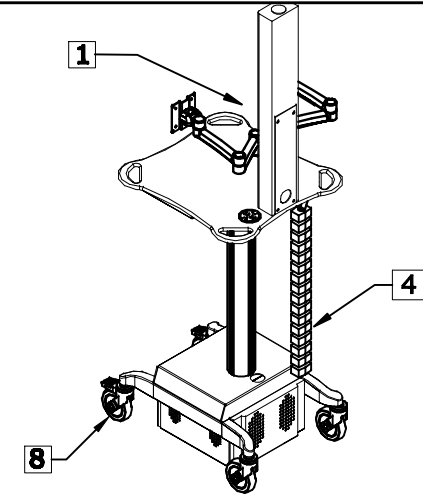


DESCRIPTION POINT OF CARE CART 'PC910'

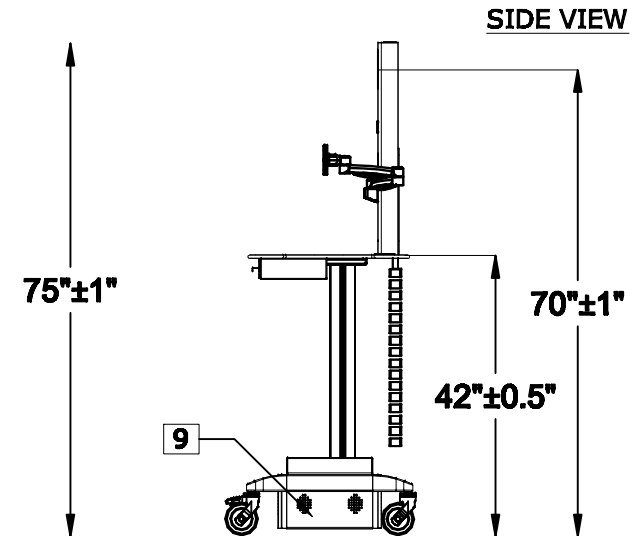
- 1. (1)AFC588-02 Monitor Holder with built in wire management.
- 2.Worksurface with Handle 24"W x 24"D
- 3.Drawer with cutout
- 4.Wire Management WM100
- 5.USB HUB
- 6. HDMI OUTLET
- 7.Removable front and rear access panels
- 8.(4)5"Casters, (2)Front Locking
- 9.Holes for ventilation
- 10. Battery PSTL-54 (inside the base)
- 11. Camera Arm Mount: Final Size TBD



ISOMETRIC VIEW



REAR ISO VIEW



SIDE VIEW

CART HAS TO HAVE BATTERY OR SIMILAR TO WEIGH IT DOWN TO BE STABLE TO COUNTER BALANCE CAMERA ARM

NOTES :

CONCEPT FINAL DRAWING MAY VARY DEPTH MAY CHANGE AS NEEDED

MATERIAL :
AS NOTED ABOVE

TOLERANCES UNLESS OTHERWISE SPECIFIED
FRACTIONAL ±1/64
2 PLC. DEC. ±.01
3PLC. DEC. ±.001
ANGULAR ±.5°
FINISH √

DRAWN BY : GM

DATE: 08/24/16

DESCRIPTION :

POINT OF CARE CART

A P P R O V E D

ENG :

USED ON :

MFG :

PATH :

QA :

PDF:

SCALE : N.T.S.

SHEET : 1 OF 1

PC910_242442_2ZF_DRW_PS54_CAM_01