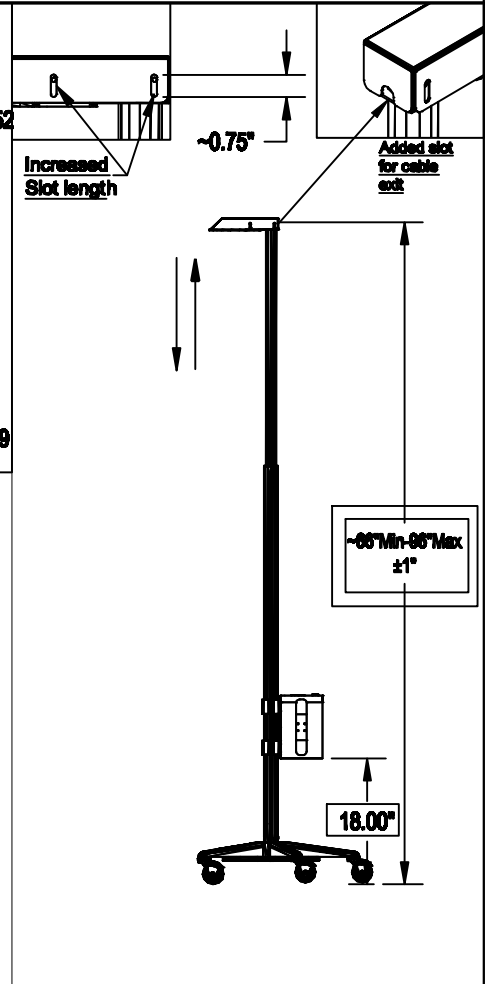
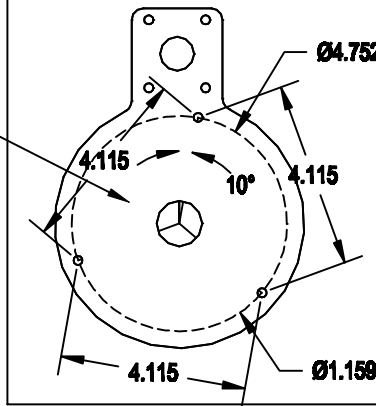


Camera Bracket for XNP-6060H



Pretension Set screw

Lock Lever

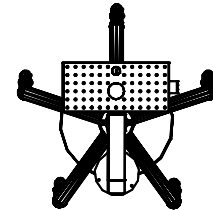
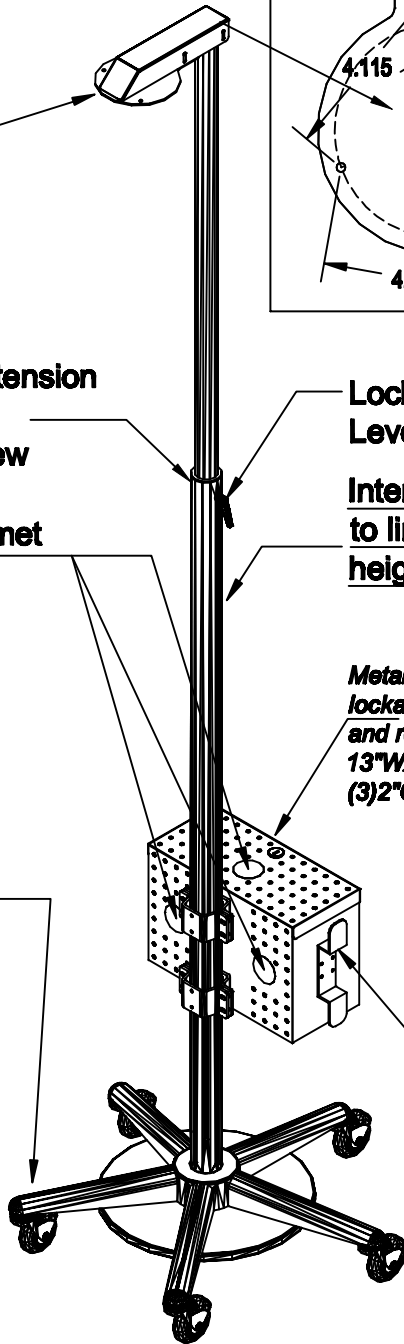
(3) 2" Grommet Holes

Internal Stopper to limit height to 96"

Metal Bin with lockable mesh door and rear mesh wall 13"W X 9"H X 6"W OD (3) 2" Grommet holes

5(3") Casters
(2) Locking Casters

Cable wrap



NOTES:

TOLERANCES UNLESS OTHERWISE SPECIFIED
FRACTIONAL ±1/64
2 PLC. DEC. ±.01
3PLC. DEC. ±.001
ANGULAR
FINISH

DRAWN BY: GM/YE

DATE: 02-29-24

DESCRIPTION:
CUSTOM CART

APPROVED

ENG:

MFG:

QA:

USED ON:

PATH:

SCALE: AS SHOWN

SHEET: 1 OF 1

NUMBER: OSC-MPC215-66-96-CAM6060H MB Rev 01
REV: SIZE A