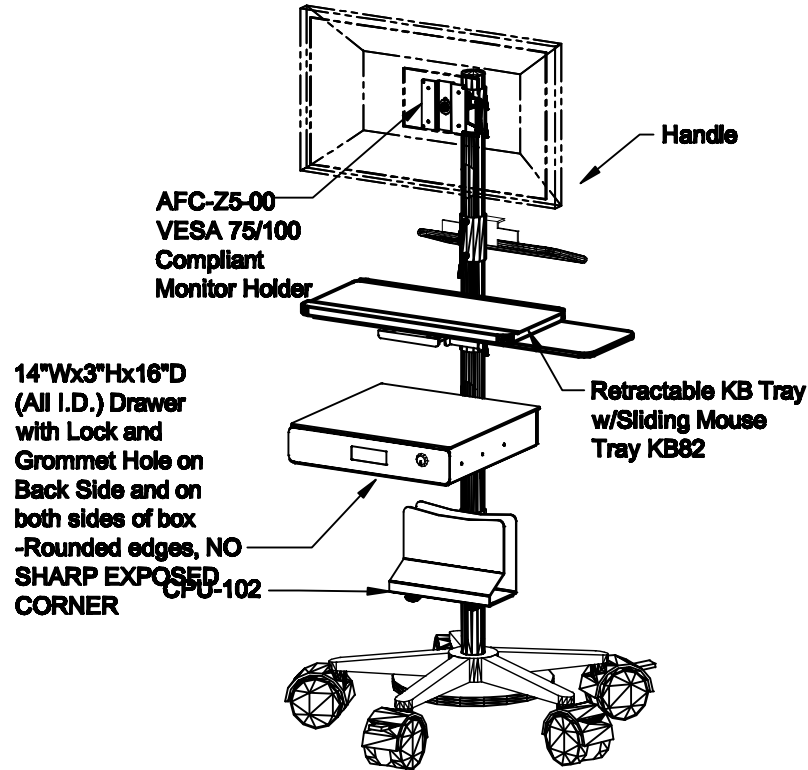
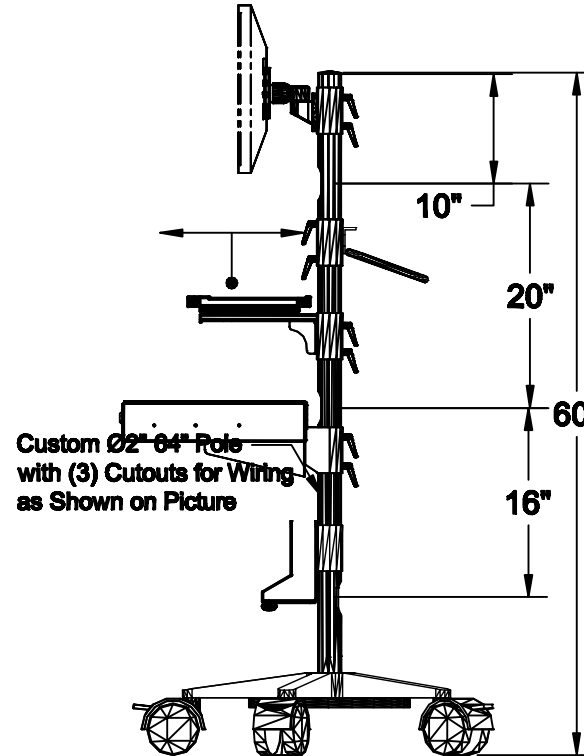




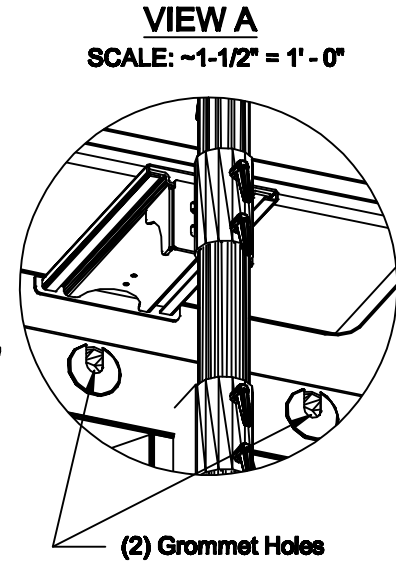
Every single item on pole is individually height and rotation position adjustable.



**ISOMETRIC VIEW**



**SIDE VIEW**



A0605

A0605

**NOTES:**  
Concept drawing only.  
Final design may vary.  
Customer has to approve this  
drawing before production.

**MATERIAL:**

TOLERANCES UNLESS OTHERWISE SPECIFIED

FRACTIONAL ±1/64  
2 PL.C. DEC. ±.01  
3 PL.C. DEC. ±.001

**ANGULAR FINISH**

**DRAWN BY: MC/BD/GM**      **DATE: 4/18/17**

**APPROVED**

ENG:  
MFG:  
QA:

SCALE: ~3/4" = 1'-0"      SHEET: 1 OF 1

**DESCRIPTION:**  
Mobile Pole Cart

USED ON:

PATH:

PDF NAME:  
MPC260\_HR4\_F\_H\_KB82\_Dr\_C2\_05

SIZE  
A