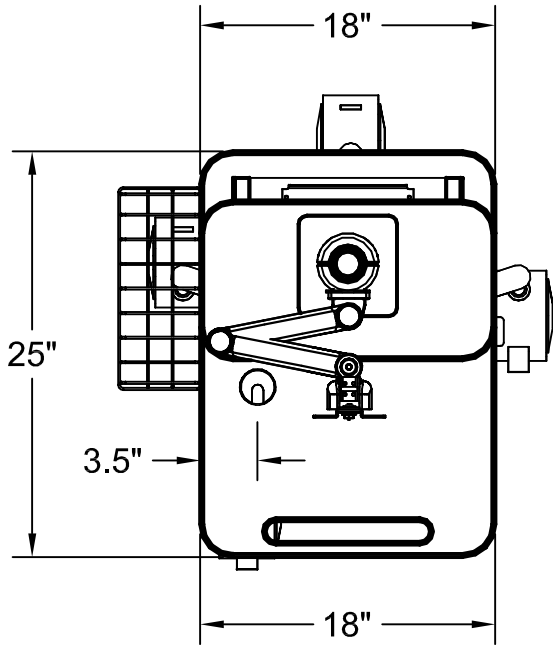
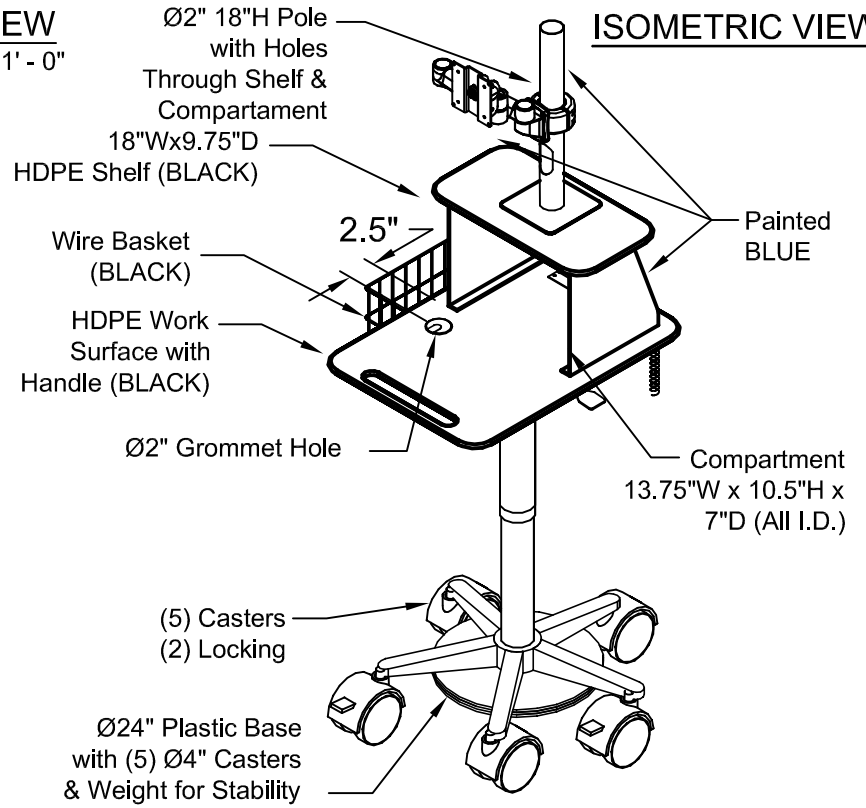


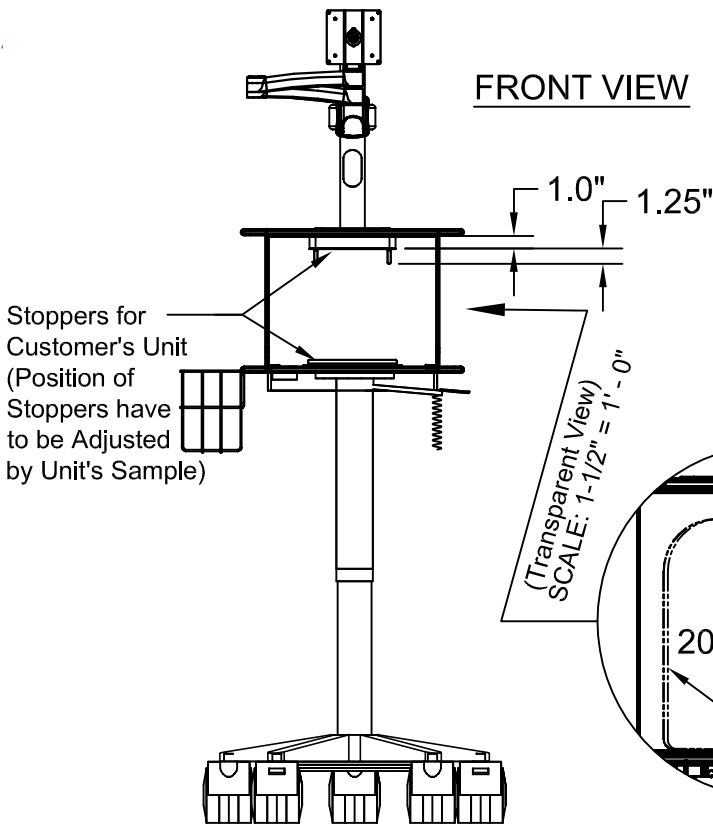
**TOP VIEW**  
SCALE: 1" = 1' - 0"



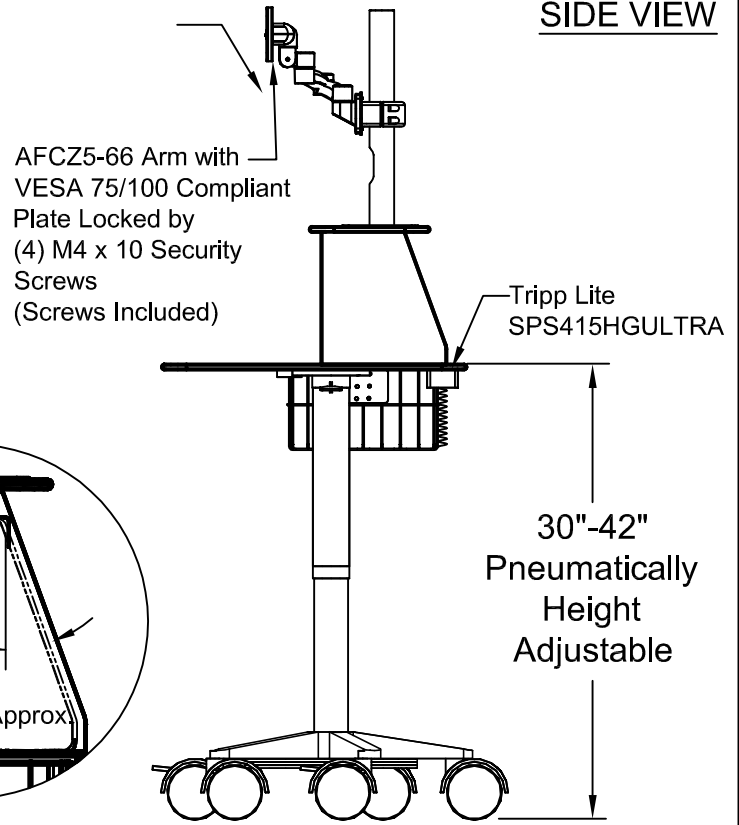
**ISOMETRIC VIEW**



**FRONT VIEW**



**SIDE VIEW**



NOTE: Concept drawing only.  
250N Gas Spring

DRAWN BY: BD/MB

DATE: 9/27/17

DESCRIPTION:

Tablet Cart

APPROVED

ENG:

USED ON:

MFG:

PATH:

QA:

NUMBER:

LPC200\_1825\_19

SCALE: ~3/4" = 1' - 0"

SHEET: 1 OF 1

REV: SIZE  
A

TOLERANCES UNLESS OTHERWISE SPECIFIED

FRACTIONAL ±1/64  
2 PLC. DEC. ±.01  
3 PLC. DEC. ±.001

FINISH

±.5°  
32