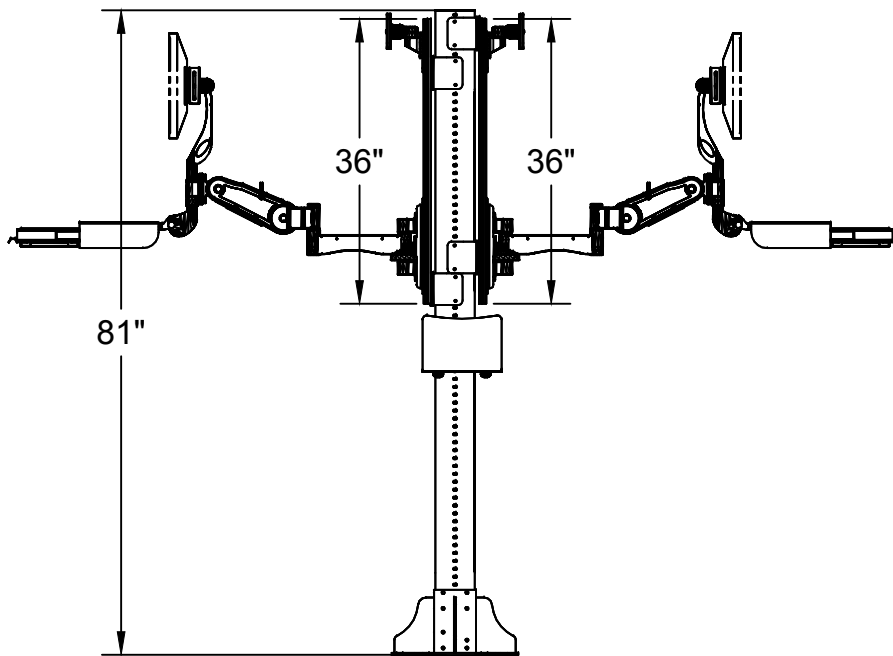
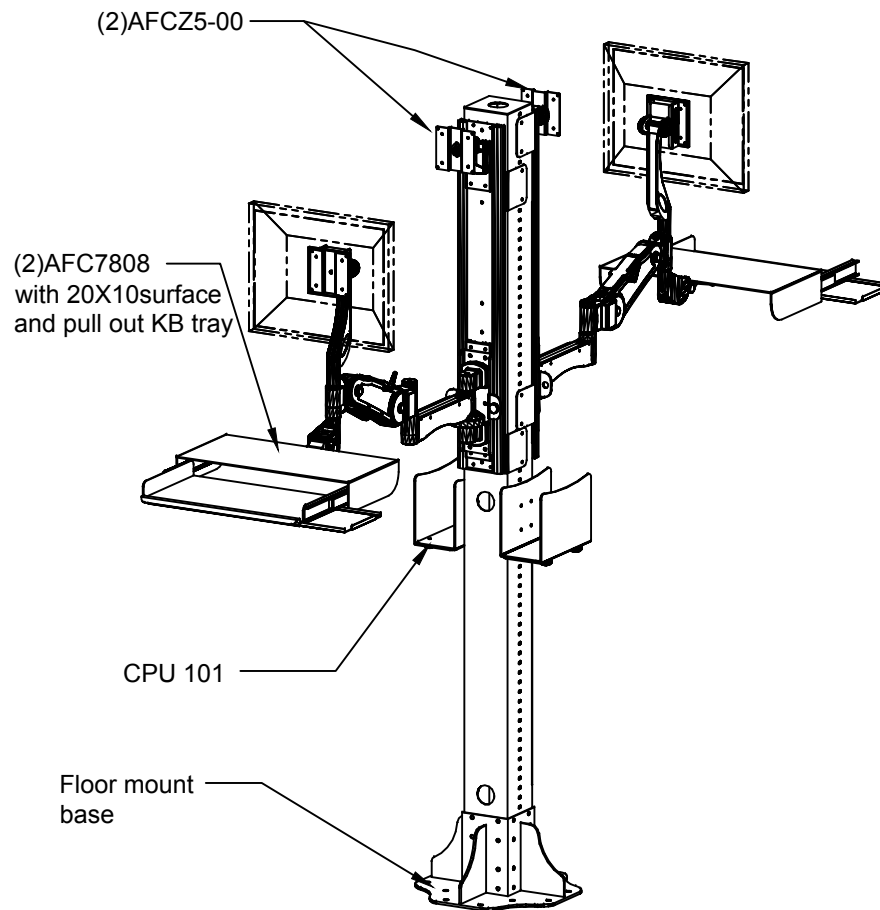


SIDE VIEW



ISOMETRIC VIEWS



NOTES :

Open access from the rear with cover NOT MEANT TO BE FREE STANDING HAS TO BE FLOOR MOUNTED

MATERIAL :

TOLERANCES UNLESS OTHERWISE SPECIFIED
FRACTIONAL ±1/64
2 PLC. DEC. ±.01
3 PLC. DEC. ±.001
ANGULAR ±.5°
FINISH



DRAWN BY: BD/MB/YE

DATE: 9/26/23

DESCRIPTION :

Floor Post

A P P R O V E D

ENG :

MFG :

QA :

USED ON :

PATH :

PDF NAME: FM050581_WM36_27808_KB_2C101_01

REV: SIZE A

SHEET: 1 OF 1