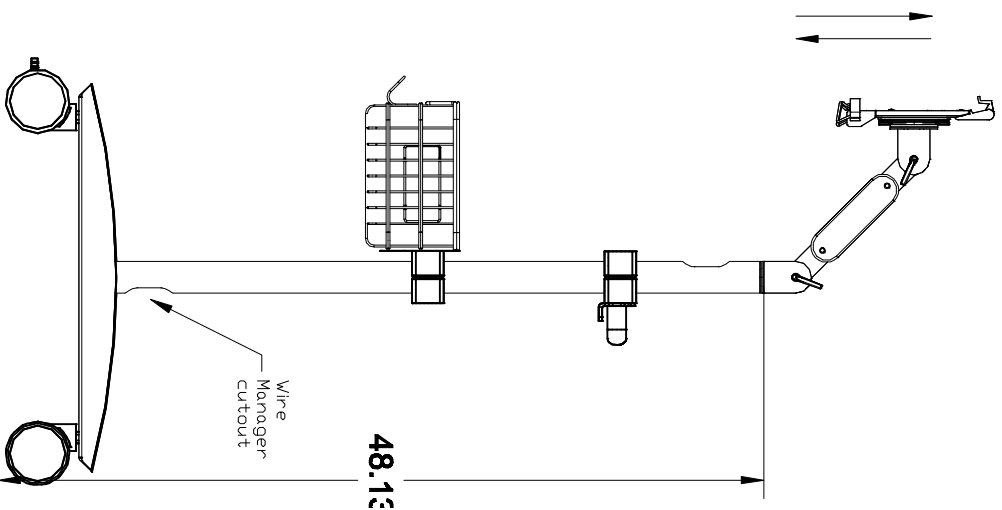
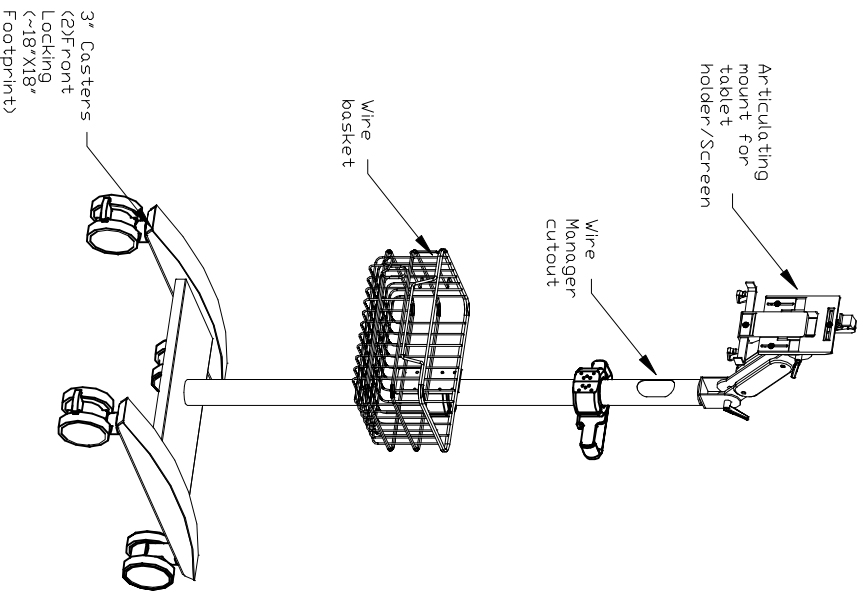
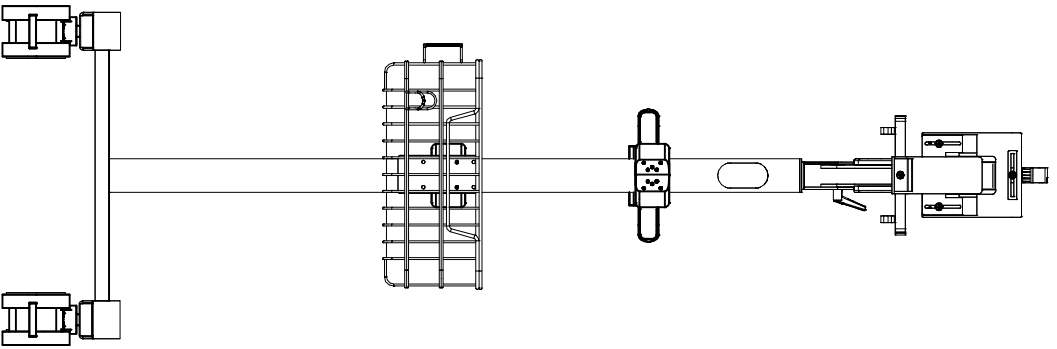


THE PLANS AND DRAWINGS CONTAINED HEREIN ARE PROPRIETARY AND MAY NOT BE COPIED OR REPRODUCED MECHANICALLY, ELECTRONICALLY OR BY ANY MEANS WITHOUT WRITTEN PERMISSION FROM AFC INDUSTRIES, INC.



NOTES:

MATERIAL:

DRAWN BY : B/VGM **01-26-23**

DESCRIPTION :

CUSTOM CART

TOLERANCES UNLESS OTHERWISE SPECIFIED
For Linear & angular dimensions ±1/2"

ENG : APPROVED

MFG :

QA :

SCALE : N.T.S.

SHEET : 1 OF 1

USED ON :

PATH :

PDF NAME:

DND-HB-1F-TAB-01

REV: SIZE

01