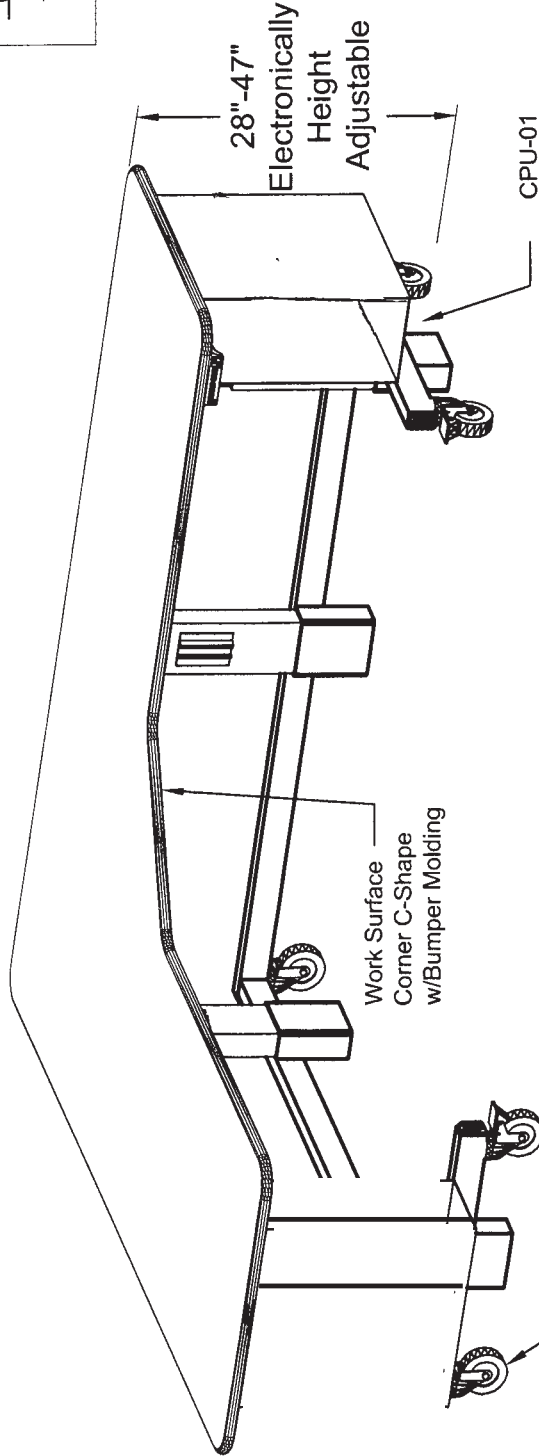
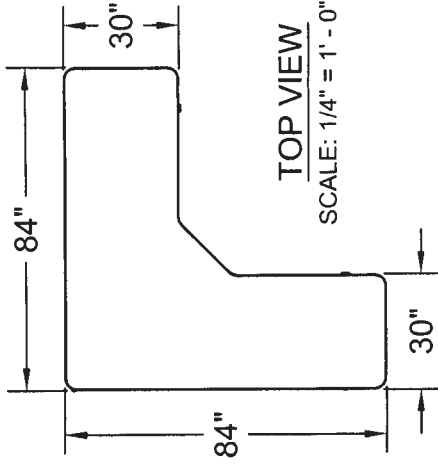




13-16 133 PLACE
COLLEGE POINT, NY 11356
TEL: (718) 747-0237
FAX: (718) 747-0726

THE PLANS AND DRAWINGS CONTAINED HEREIN ARE PROPRIETARY AND MAY NOT BE COPIED OR REPRODUCED MECHANICALLY, ELECTRONICALLY OR BY ANY MEANS WITHOUT WRITTEN PERMISSION FROM AFC INDUSTRIES, INC.



ISOMETRIC VIEW

NOTES:	MATERIAL:	DRAWN BY: BD	DATE: 9/10/15	DESCRIPTION:
	TOLERANCES UNLESS OTHERWISE SPECIFIED	APPROVED		
	FRACTIONAL ±1/64	Corner Single Tier Cart		
	2.PLC. DEC. ±.01	USED ON:		
	3.PLC. DEC. ±.001	PATH:		
	ANGULAR ±.5°	I:\In.Assy\Maxflex\Single Tier\Corner\84001		
	FINISH ±.5/32	PDF NAME:		
		CST84843030 B C 0 0 _C 0 0 0 1		
		SCALE: ~3/4" = 1' - 0"		
		SHEET: 1 OF 1		
		REV: SIZE		
		A		