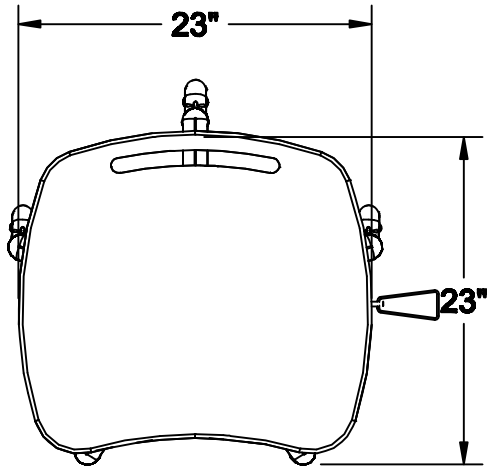
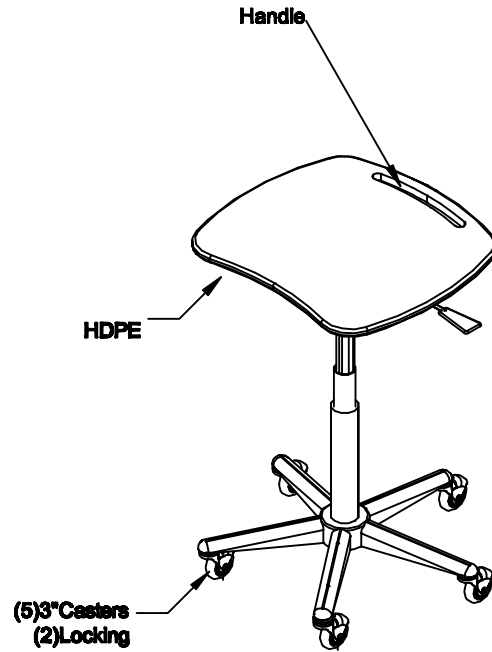


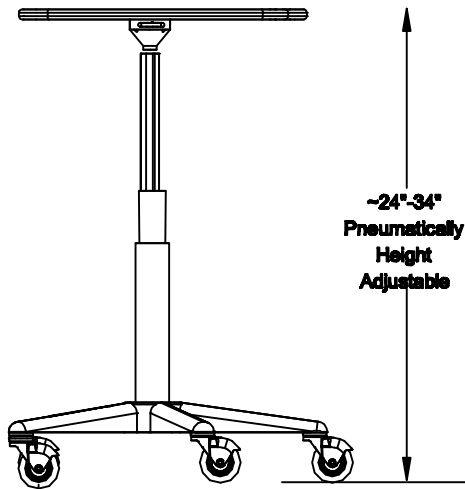
**TOP VIEW**



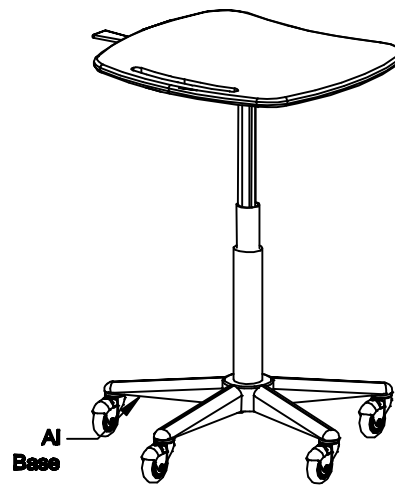
**ISOMETRIC VIEW**



**SIDE VIEW**



**REAR ISO VIEW**



150N REQ: Height range +-2"	<b>DRAWN BY : VGM</b>	<b>DATE:12-06-23</b>	DESCRIPTION :
	A P P R O V E D		<b>LAPTOP CART</b>
TOLERANCES UNLESS OTHERWISE SPECIFIED FRACTIONAL ±1/64 2 PLC. DEC. ±.01 3PLC. DEC. ±.001 ANGULAR ±.5° FINISH √32	ENG :		USED ON :
	MFG :		PATH : <b>Maxflex/Laptop Cart/PC-LS</b>
	QA :		PDF NAME: <b>PCLS-HD-2323-CR3-01</b>
	SCALE: N.T.S.	SHEET : 1 of 1	