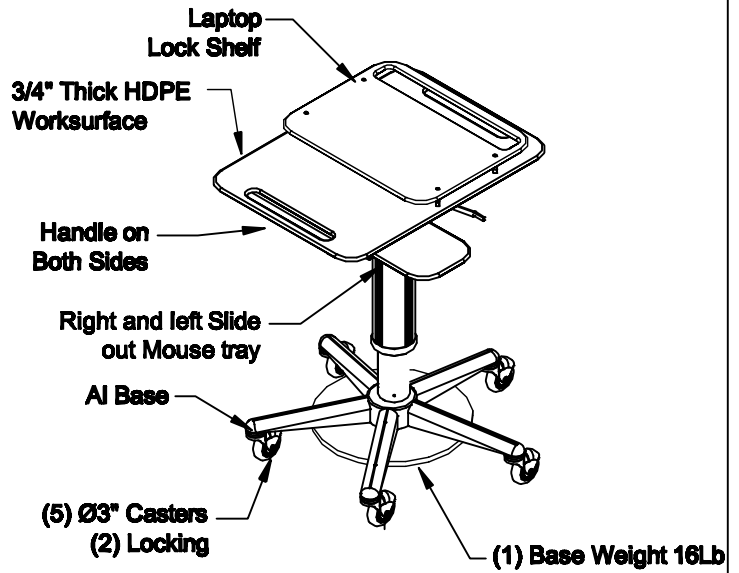
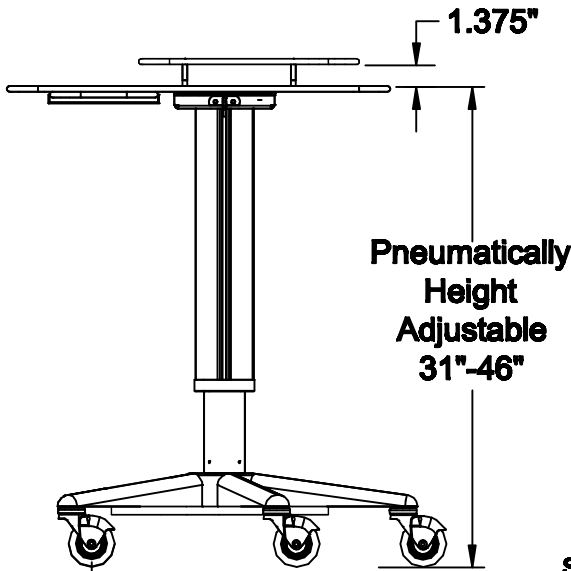


**TOP VIEW**  
SCALE: 1" = 1' - 0"



**ISOMETRIC VIEW**  
SCALE ~3/4" = 1' - 0"



**SIDE VIEW**  
SCALE: 1" = 1' - 0"

NOTE:  
175N Gas spring

DRAWN BY: BD

DATE: 12/6/23

DESCRIPTION:

Laptop Cart

APPROVED

USED ON:

TOLERANCES UNLESS OTHERWISE SPECIFIED  
FRACTIONAL ±1/64  
2 PLC. DEC. ±.01  
3 PLC. DEC. ±.001  
ANGULAR  
FINISH

ENG:

MFG:

QA:

SCALE AS SHOWN

SHEET: 1 OF 1

PATH:  
\\Fin.Assy\Maxflex\Laptop Cart\LPC200\

NUMBER:  
LPC200\_1825\_LSh16\_3CR\_01

SIZE  
A4