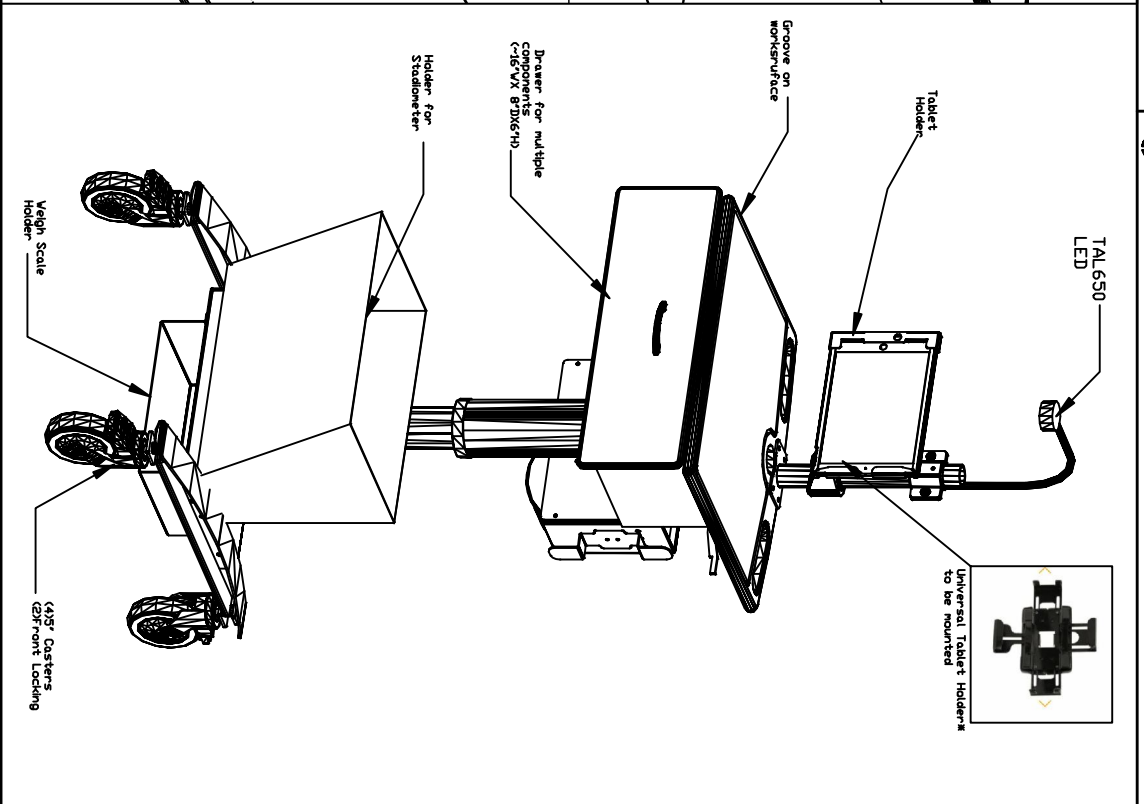
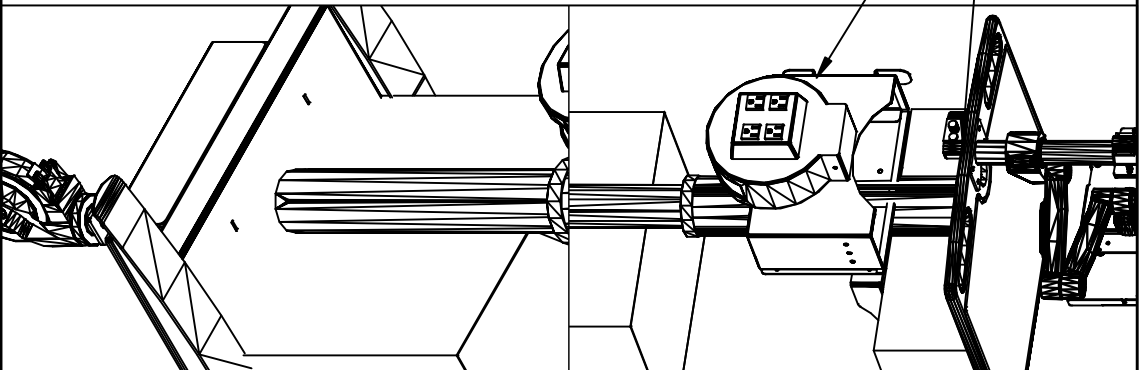
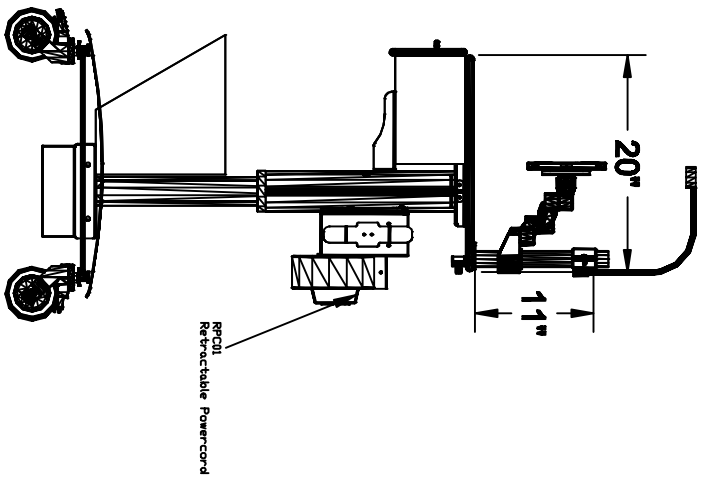
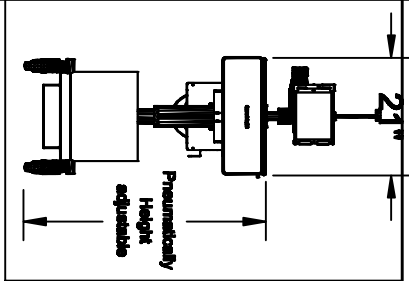


THE PLANS AND DRAWINGS CONTAINED HEREIN ARE PROPRIETARY AND MAY NOT BE COPIED OR REPRODUCED MECHANICALLY, ELECTRONICALLY OR BY ANY MEANS WITHOUT WRITTEN PERMISSION FROM AFC INDUSTRIES, INC.



NOTES:

MATERIAL:

TOLERANCES UNLESS OTHERWISE SPECIFIED

FRACTIONAL ±1/84
2 P.L.C. DEC. ±.01
3 P.L.C. DEC. ±.001
ANGULAR
FINISH

DRAWN BY: **BD/GM**
A P P R O V E D

DATE: **8/22/23**

DESCRIPTION:

USED ON:

PATH: CUSTOMERS\TEXAS TECH

ENG:
MFG:
QA:
SCALE: ~1-1/2" = 1'-0" SHEET: 1 OF 1

PDF NAME: TXTH-212042-01-V2

REV: SIZE
A