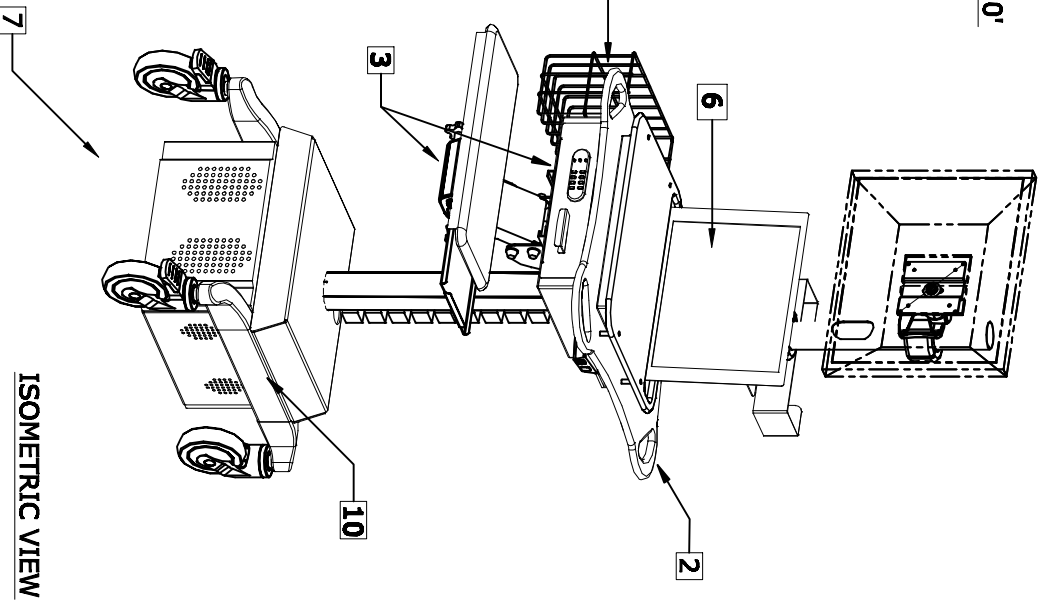
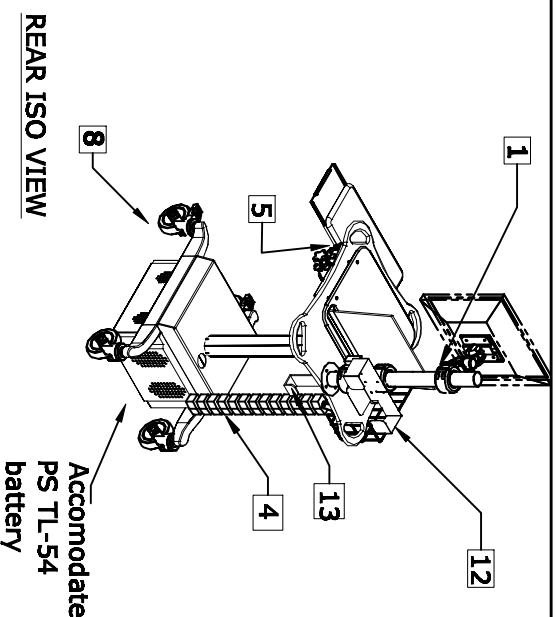
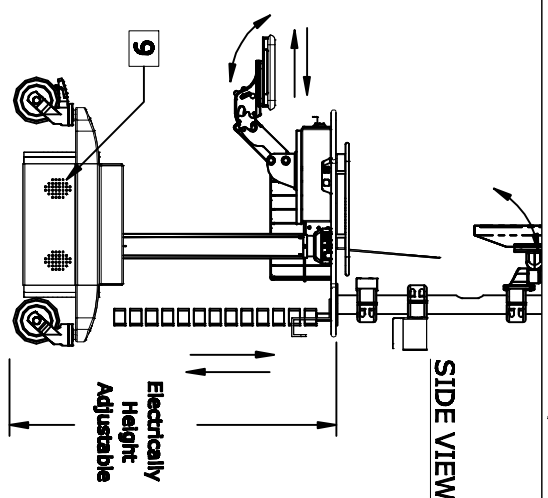


**DESCRIPTION POINT OF CARE CART 'PC910'**

1. AFCZ5-00 Monitor Holder with LED read out on front on 24" Pole
2. Worksurface with Handle 24"W x 24"D and removable Laptop shelf
3. Retractable/Tilt Keyboard Tray Lockable Drawer ~10"Wx8"Dx3"H
4. Wire Management WM100
5. Switch height adjustment
6. Laptop shown for ref
7. Removable front and rear access panels
8. (4)5" Casters, (2) Front Locking
9. Holes for ventilation
10. Location for Battery PS-TL-54
11. Wire Basket
12. Glove Box Holder
13. Hook


**ISOMETRIC VIEW**

**REAR ISO VIEW**

 Accomodate  
 PS TL-54  
 battery

**SIDE VIEW**

 Electrically  
 Height  
 Adjustable

**NOTES :**

 Height Adjustment Tolerance  $\pm 2"$ 

 MATERIAL :  
 AS NOTED ABOVE

 DRAWN BY : CLP/YE  
 A P P R O V E D

DATE: 6/26/2023

 DESCRIPTION :  
 POINT OF CARE CART

USED ON :

 TOLERANCES UNLESS  
 OTHERWISE SPECIFIED  
 FRACTIONAL  $\pm 1/64$   
 2 P.L.C. DEC.  $\pm .01$   
 3 P.L.C. DEC.  $\pm .001$   
 ANGULAR  $\pm .5^\circ$   
 FINISH  $\frac{32}{\sqrt{}}$ 

 ENG :  
 MFG :  
 QA :  
 SCALE : N.T.S.

 PATH : FinAss/Maxflex/PCCart/PC 910/Electric  
 PDF: PC910\_E\_2424\_LPTP\_1F\_DRW\_KB\_WB\_GH\_P54\_02

SHEET : 1 OF 1