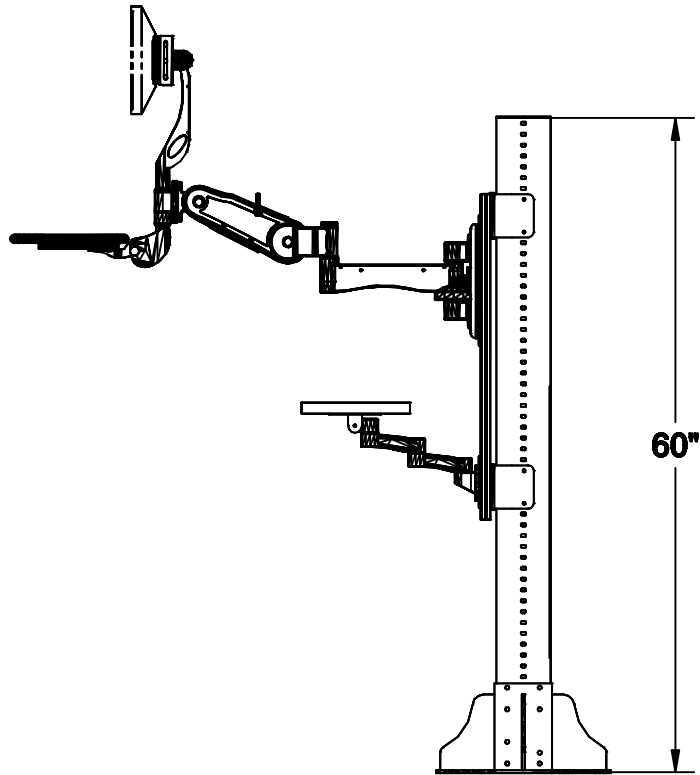
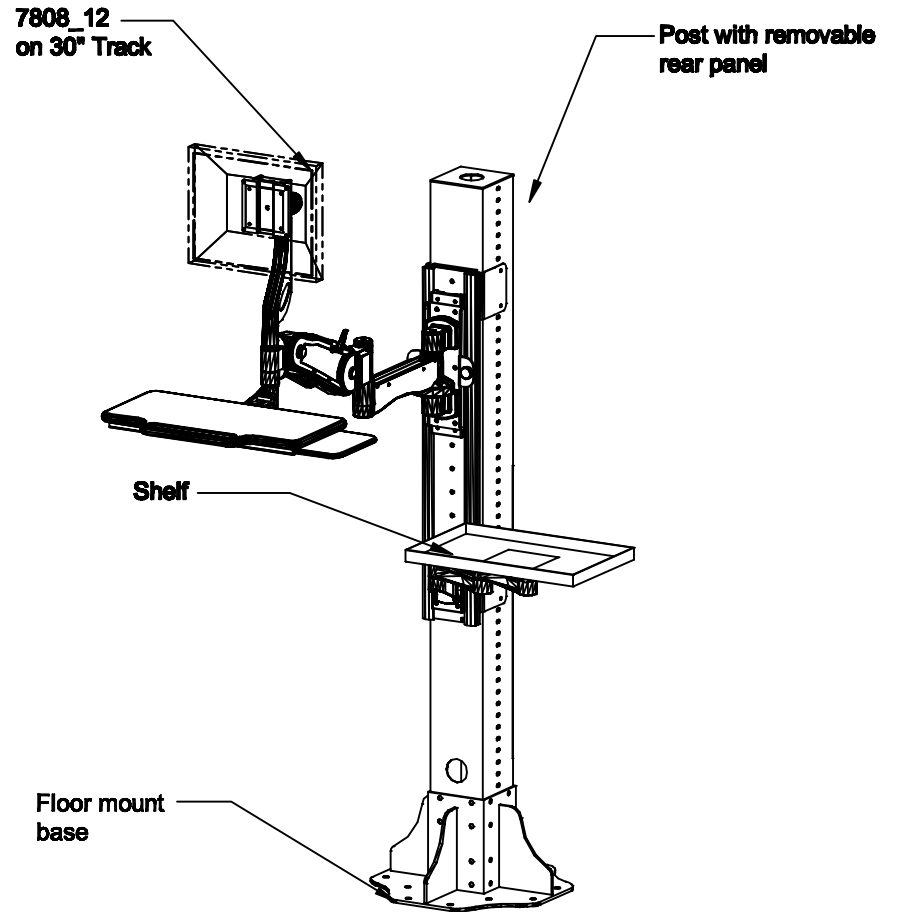


SIDE VIEW



ISOMETRIC VIEWS



NOTES :
• **Open access from the rear with cover**

MATERIAL :

TOLERANCES UNLESS OTHERWISE SPECIFIED
FRACTIONAL ±1/64
2 PLC. DEC. ±.01
3PLC. DEC. ±.001
ANGULAR

DRAWN BY: **BD/MB/YE**

DATE: **2/28/23**

DESCRIPTION :

Floor Post

A P P R O V E D

USED ON :

ENG :

MFG :

QA :

PATH :
\\Fin.Assy\Carts\System\FloorMount\Custom

PDF NAME:

REV: SIZE