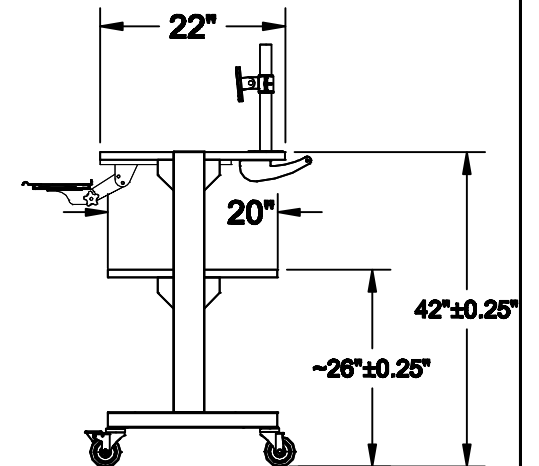


**ISOMETRIC VIEW**

All metal components and hardware of the cart is Stainless Steel



<b>NOTES :</b>	<b>MATERIAL :</b>	<b>DRAWN BY: GM</b>	<b>DATE: 5/8/23</b>	<b>DESCRIPTION :</b>	
	TOLERANCES UNLESS OTHERWISE SPECIFIED FRACTIONAL ±1/64 2 PLC. DEC. ±.01 3 PLC. DEC. ±.001 <b>ANGULAR</b> <b>FINISH</b>	<b>APPROVED</b>		<b>USED ON :</b>	
		<b>ENG :</b>			<b>PATH :</b>
		<b>MFG :</b>			<b>CLEAN ROOM SS carts</b>
	<b>QA :</b>			<b>PDF NAME :</b>	
		<b>SCALE AS SHOWN</b>	<b>SHEET: 1 OF 1</b>	<b>SCNH_SS_162442_16KB_1F_B_01</b>	
				<b>SIZE A4</b>	