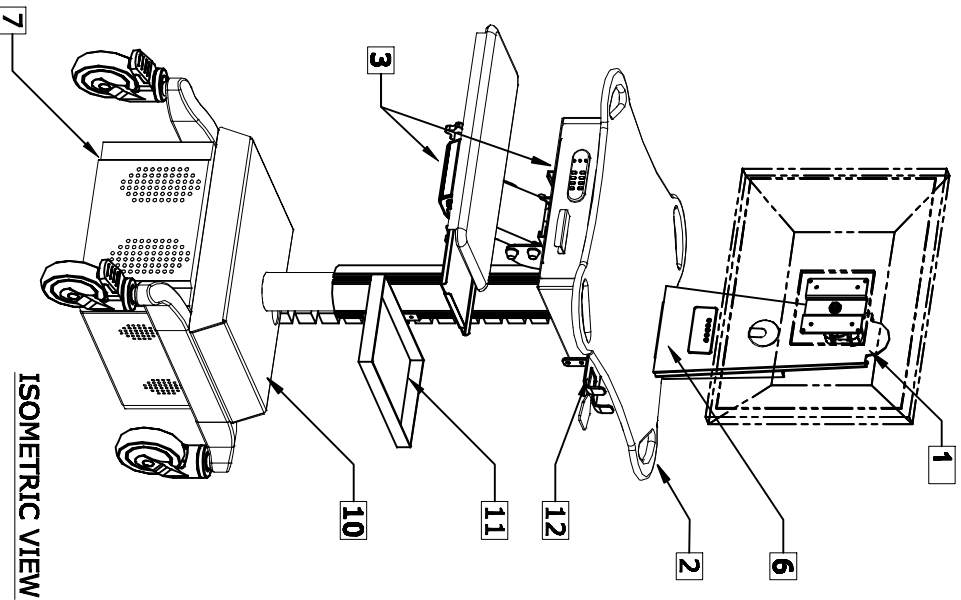
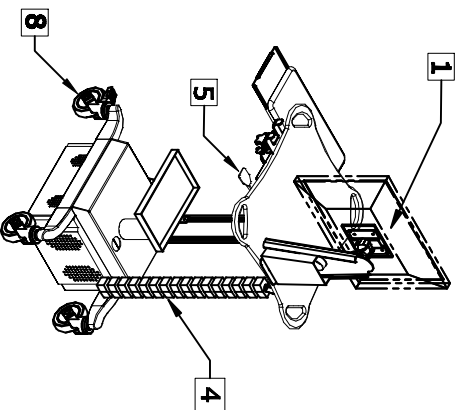


DESCRIPTION POINT OF CARE CART 'PC910'

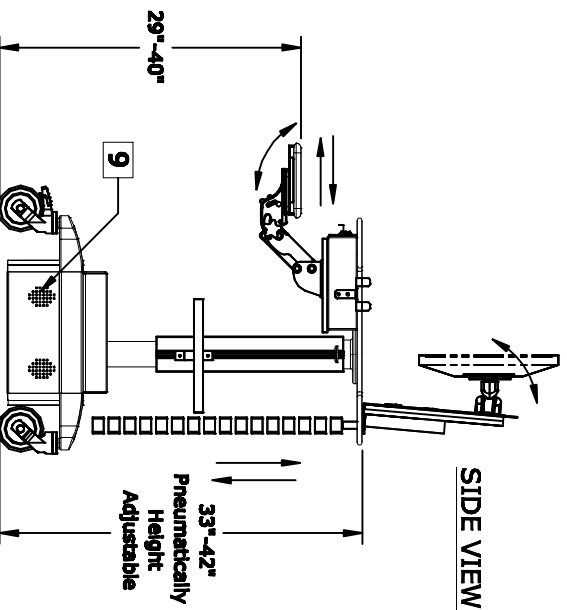
1. Monitor Holder with built in wire management. LED read out on front
2. Worksurface with Handle 24"W x 24"D
3. Retractable/Tilt Keyboard Tray Lockable Drawer ~10"Wx8"Dx3"H
4. Wire Management WM100
5. Lever for height adjustment
6. Grommet hole
7. Removable front and rear access panels
8. (4)5" Casters, (2) Front Locking
9. Holes for ventilation
10. Battery PSTL-54
11. 7"W X 12" Metal Shelf
12. Scanner Holder



ISOMETRIC VIEW



REAR ISO VIEW



SIDE VIEW

NOTES :

Height Adjustment Tolerance $\pm 1/2"$
250N

MATERIAL :
AS NOTED ABOVE

TOLERANCES UNLESS OTHERWISE SPECIFIED
FRACTIONAL $\pm 1/64$
3 P.L.C. DEC. $\pm .01$
ANGULAR $\pm .5^\circ$
FINISH $\sqrt{2}$

DRAWN BY : PRBD

DATE: 02/28/23

A P P R O V E D

ENG :

DESCRIPTION :
Point of Care Cart

USED ON :

MFG :

PATH :
J:\Fin.Assy\Maxitex\PC Carts\PC910

QA :

PDF:

SCALE : N.T.S.

SHEET : 1 OF 2

PC910_1F-KB-DRW-SHM-PS54-01