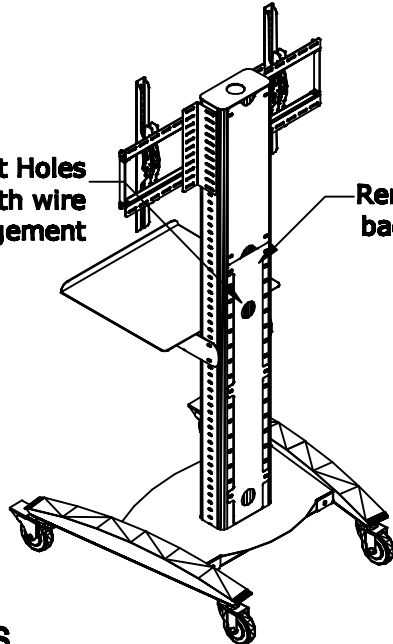
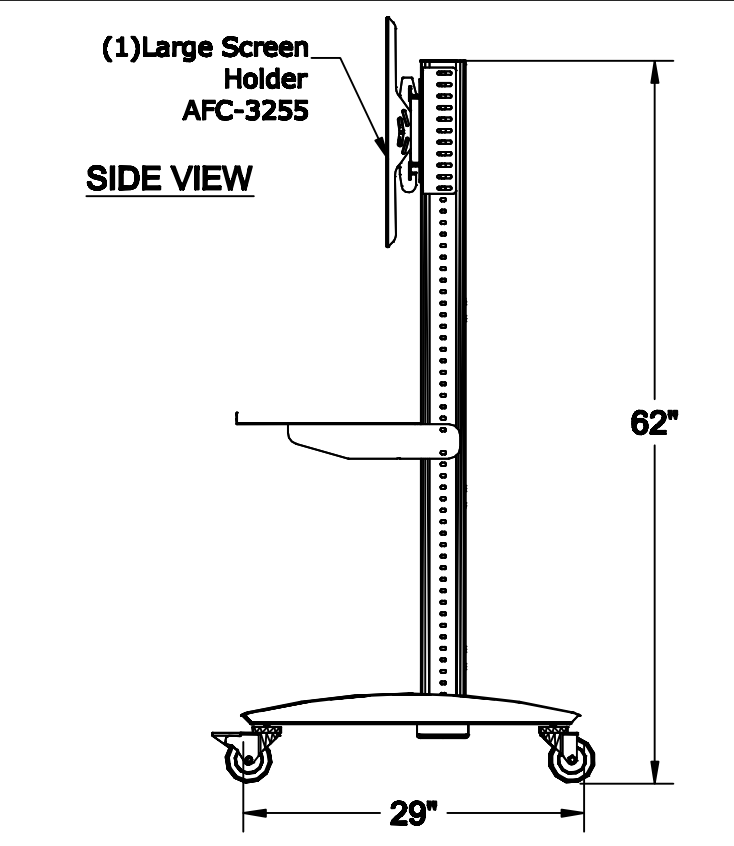
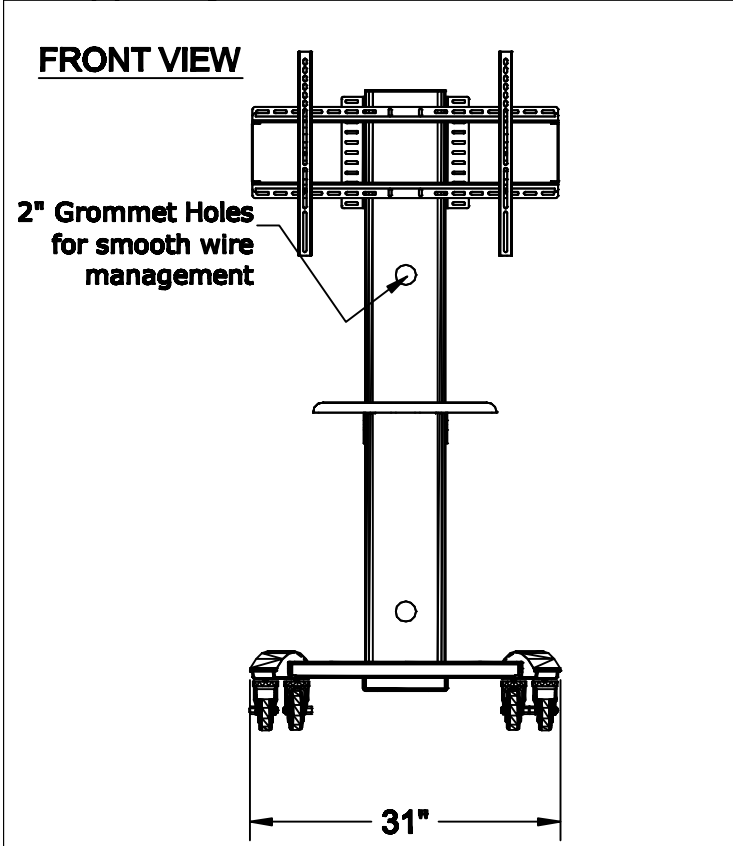


Grommet Holes for smooth wire management

Removable back panel



ISOMETRIC VIEWS



NOTES:	DRAWN BY : GM	DATE: 04/11/16	DESCRIPTION : XLCD PLASMA CART
	A P P R O V E D		
TOLERANCES UNLESS OTHERWISE SPECIFIED FRACTIONAL ±1/64 2 PLC. DEC. ±.01 3PLC. DEC. ±.001 ANGULAR ±.5° FINISH √	ENG :		USED ON :
	MFG :		PATH :
	QA :		/Final Assembly/Carts&Rack/Plasma Cart/XLCD250/
	SCALE: ~3/4" = 1' - 0"	SHEET : 1 OF 1	NUMBER : XLCD250_AFC3255_ASC_02