

## Description

**Wall Mount AFC7808\_12**, a height-adjustable, low-profile, user-friendly solution for access to electronic records where space is limited. Suitable for numerous applications like data entry, EMR, e-MAR & CPOE. The **AFC7808\_12** accommodates most operators, in sit-to-stand positions. When not in use, it folds up neatly to the wall, tucked away and unobtrusive.

The flexible **AFC7808\_12** is designed with the ergonomic intelligence, strength, durability, and thorough disinfection properties like other AFC products, while offering an easy-to-operate tool for boosting productivity in high-traffic areas. It is pneumatically height-adjustable within a 12" range, and can be locked in any position you chose. Full range of swivel motion at each joint comfortably accommodates different positions and applications, such as sharing information with patients and other professionals in proximity.

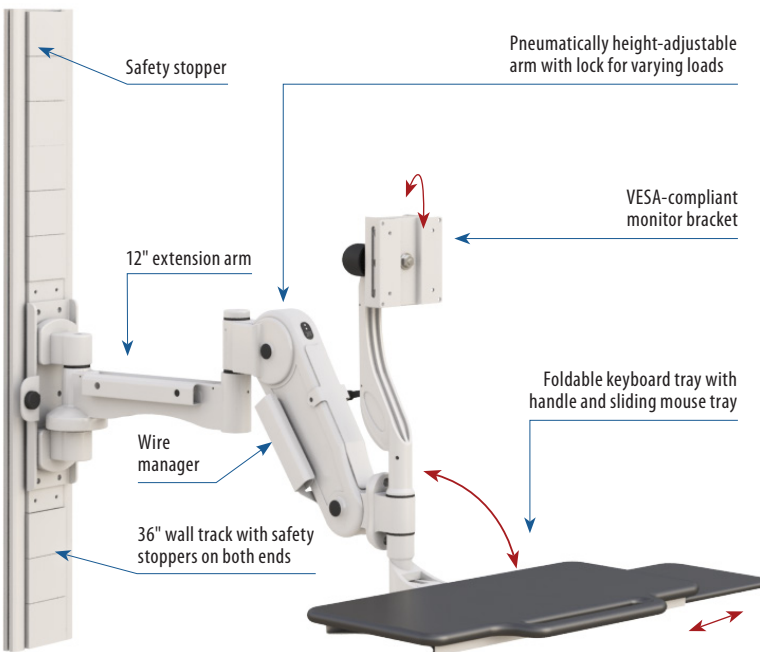


Image 1. Wall Mount AFC7808\_12 (shown with 36" track)

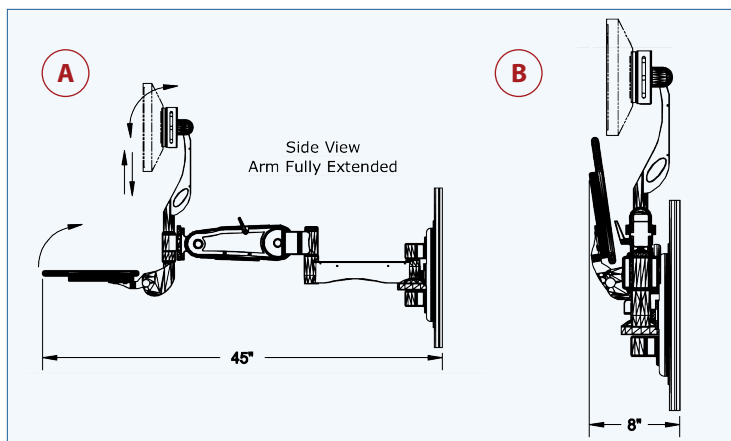


Image 2. Side view (A - Arm fully extended; B - Arm folded against wall)

## Features and Benefits

- Light-weight aluminum construction for easy operation
- Entire mount is powdered coated in anti-microbial paint for thorough disinfection for safe use throughout medical facilities
- 41" of horizontal extension from the wall with option of supplemental one foot extension arm
- 12" range of height adjustment for accommodation of most users while standing or seated
- Height locking mechanism at any position for safety, stability, and varying loads
- Full range of swivel motion at each joint
- Keyboard folds for low profile and has a safety lock
- Mouse holder is optional
- VESA 75/100 compliant monitor bracket with horizontal and vertical tilt and 3" range of height adjustment
- Integrated wire management
- Arm vertically adjusts on 36" wall track (wall track is optional)

## Specifications

- Arm extension: 41" to keyboard
- Arm folded up: 2" to LCD, 8" to keyboard handle
- Arm vertical adjustment: 12"
- Arm rotation: 270°
- Min/Max LCD weight: 7 lb to 20 lb (different bracket available for monitor weight above 20 lb)
- LCD pivots: 270°
- LCD tilts: 70°
- Keyboard dimensions: 19" x 8" (without handle)
- Cable management: internal through arms
- Multiple colors available
- Shipping weight: 50 lb
- Shipping dimension: 38" x 22" x 10"

Continued on the next page ►

## Range of Motion

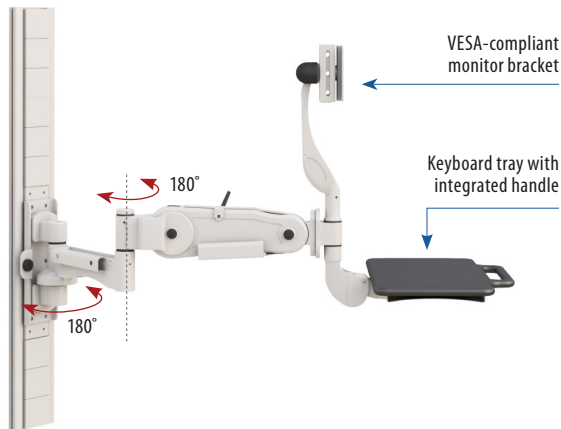


Image 3. Pneumatically height-adjustable arm has full range of swivel motion at each joint

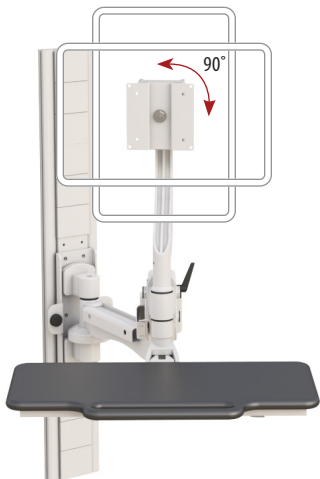


Image 6. VESA-compliant monitor bracket can be adjusted from portrait to landscape view and accepts most monitors

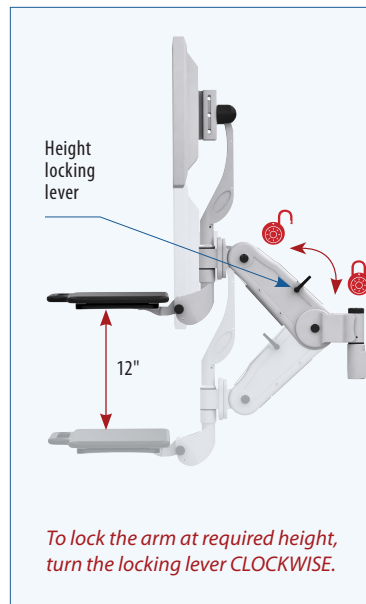


Image 4. 12-inch range of height adjustment accommodates most users while standing or seated

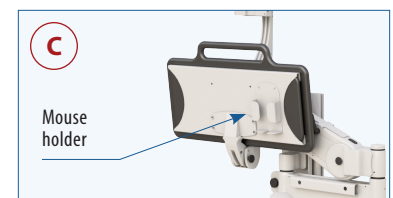
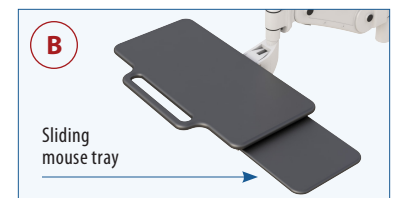
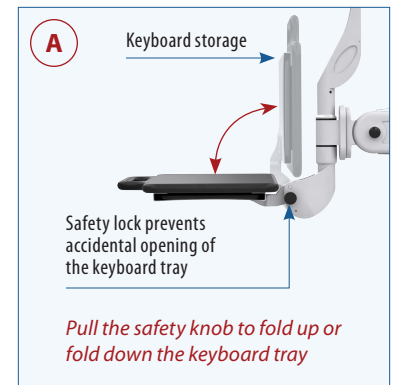
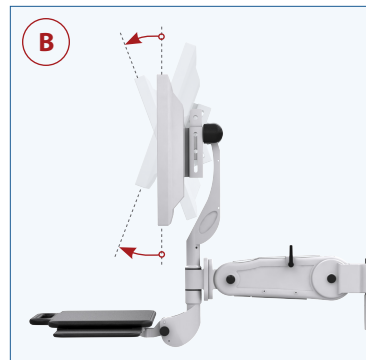
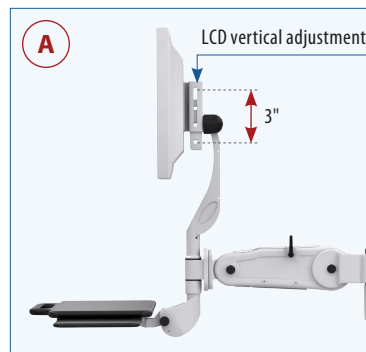


Image 5. Keyboard tray with integrated handle easily folds up, saving space when not in use

- A** - Keyboard use and storage
- B** - Sliding mouse tray accommodates both left/right hand users
- C** - With the keyboard folded up, total system depth is as little as about 8"

Image 7. **A** - LCD vertically adjusts 3"  
**B** - Tilting display eliminates overhead glare

Continued on the next page ►

## Counterbalancing the arm

- Using the locking lever (see image 8A), secure the vertical motion of the arm (turn clockwise to lock the position)
- After installing the monitor, release the locking lever and move the arm to its top most position
- Remove the rubber cap (see image 8B) and adjust the tension of the arm by turning socket head cap screw using an Allen Key (CW — decrease tension; CCW — increase tension), such that the monitor will stay at any position when moved

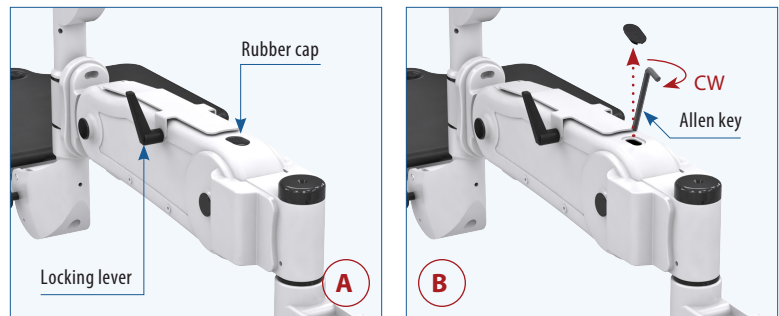


Image 8. Locking lever secures the vertical motion of the arm

## Internal Cable Management

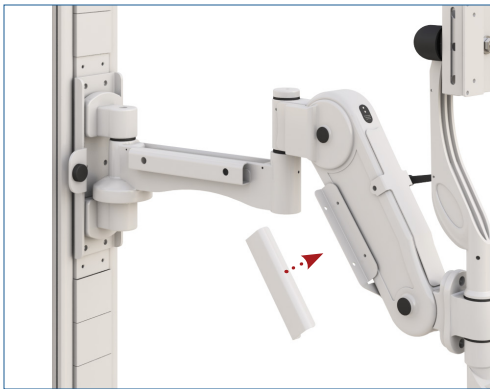


Image 9. Clean, concealed and neat routing of cables through the cable management system

## Various Mounting Options



Image 10. Vertical mounting



Image 11. Horizontal mounting

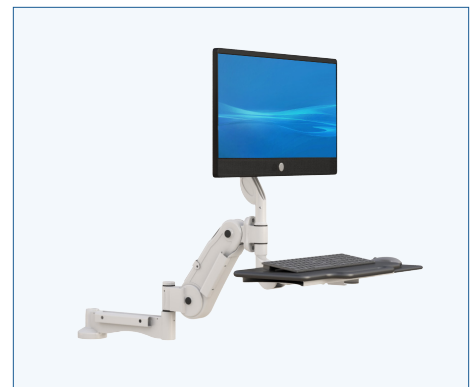


Image 12. Desktop mounting