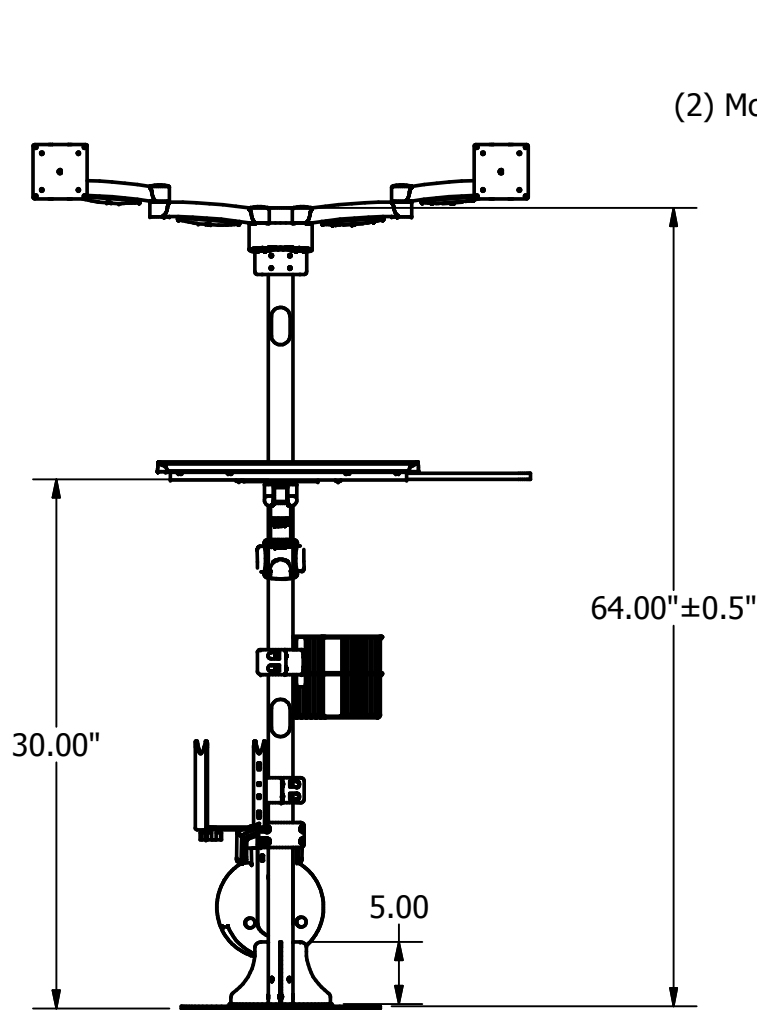


Top View

Scale 1:20

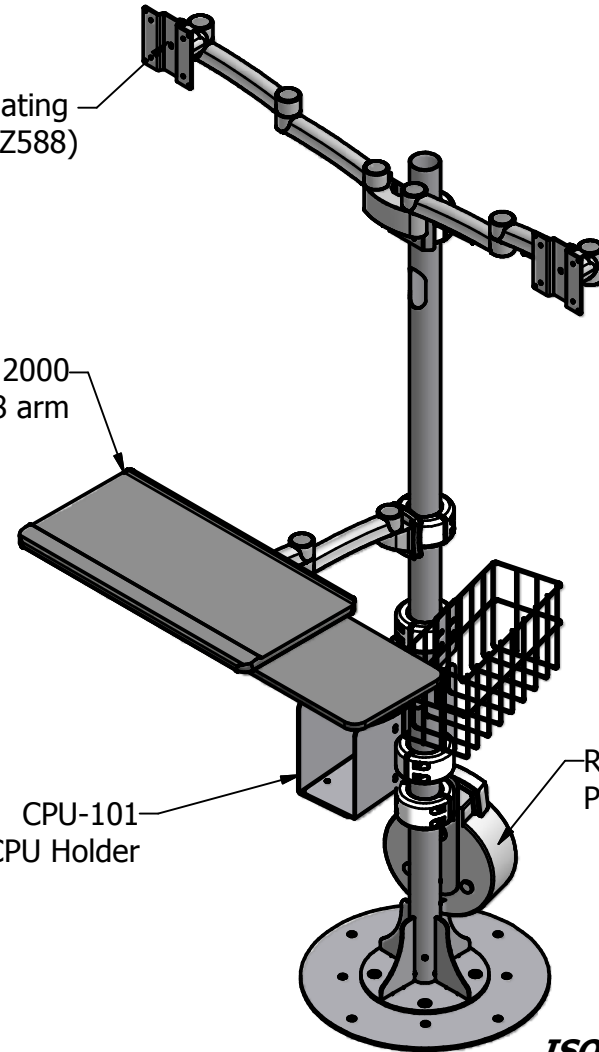


(2) Monitor on articulating Z arm (AFCZ588)

KB tray 2000 on Z588 arm

CPU-101 CPU Holder

RPC-101 Power Cord



ISO View
Scale 1:12

Side View

Scale 1:20

NOTES:
Final Design May Vary

Tolerances:
Height ±1"
Surface Dims. ± 0.5"

SHEET 1 OF 1
SCALE: As Shown

DATE: 3/28/2022

DRAWN BY: autegenova

DESCRIPTION:

P/N: FP264_2FZ5-88_KBZ82_C1_01.idw

PATH: \\afcfs2\engineering\PP&T-DWG\1 INVENTOR CONTENT
CENTER\Library\FinalAssem-SoldToCustomers\Carts and Racking\Floor
Post\772777\FP264_2FZ5-88_KBZ82_C1_01.idw