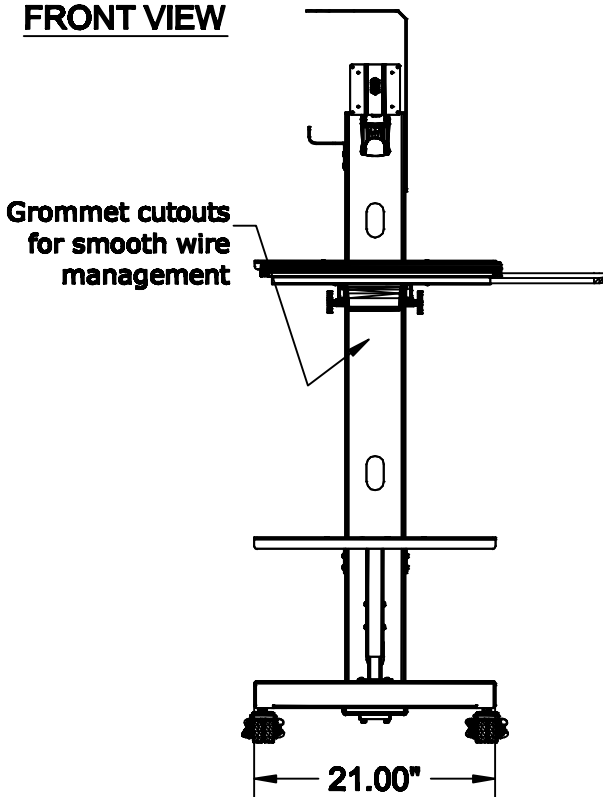
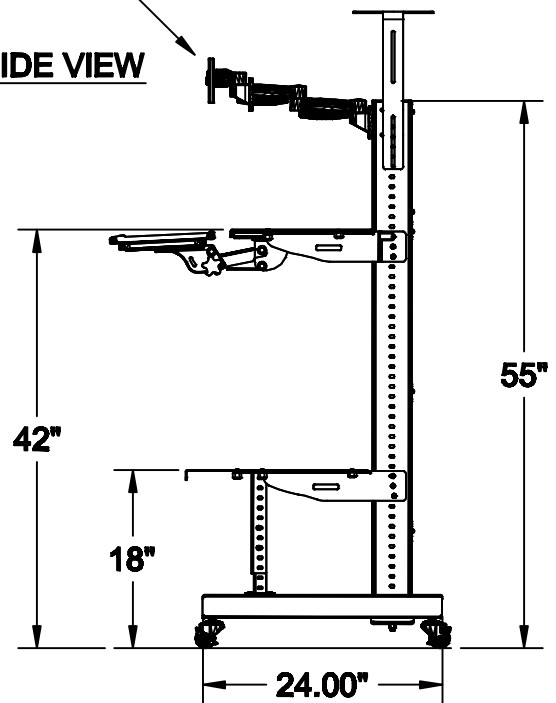


FRONT VIEW



AFCZ5-66

SIDE VIEW



NOTES:	DRAWN BY : MB/GM	DATE: 05/22/20	DESCRIPTION : XLCD PLASMA CART		
	A P P R O V E D			USED ON :	
TOLERANCES UNLESS OTHERWISE SPECIFIED FRACTIONAL ±1/64 2 PLC. DEC. ±.01 3PLC. DEC. ±.001 ANGULAR ±.5° FINISH √32	ENG :		PATH :		
	MFG :		PLASMACARTCUSTOM		
	QA :		NUMBER :	XXLCD250_Z6_KBZ_1SH_2C_CAM_01	REV: 01
	SCALE: NTS	SHEET : 1 OF 1			SIZE A