

TOP VIEW

19.5"Wx17"D Shelf
for KB with sliding mouse
tray & mouse holder

14"Wx16"D
Metal Shelf

Monitor Holder
AFC22
(upto 24" screen)

Post

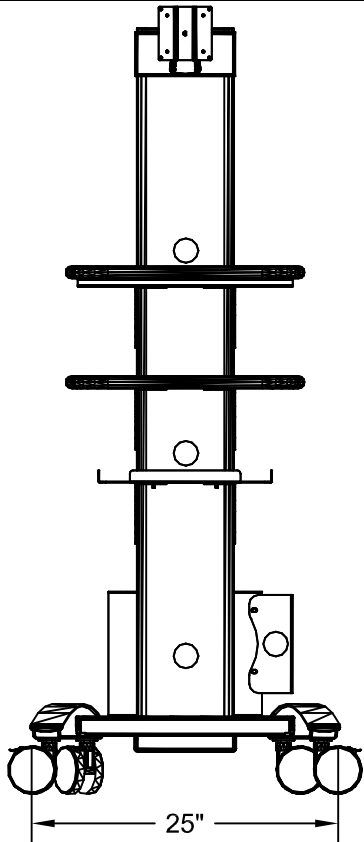
2" Grommet Holes
for Wire Management

Enclosure
for transformer
12.5"Wx4.5"Dx
10"H (sides open)
w/Ventilation

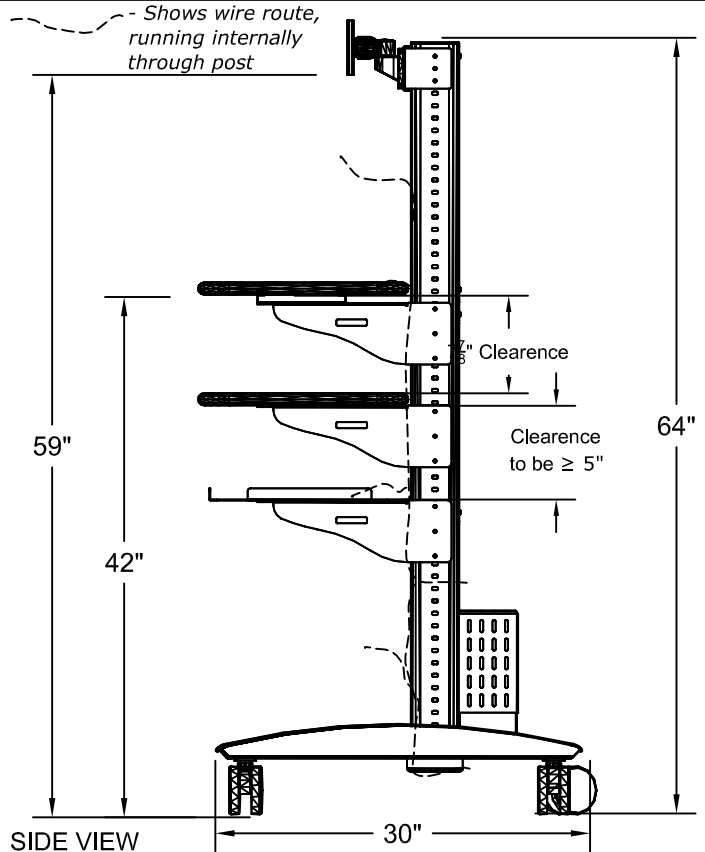
Cover
5.25"Wx8"H

(4) 4" Casters
(2) Locking

ISOMETRIC VIEW



FRONT VIEW



SIDE VIEW

Note : Concept Drawing Only Final
Design may vary
Dim. Tolerances ±1/4"

DRAWN BY: PR/YE

DATE: 4/17/18

DESCRIPTION :

A P P R O V E D

Mobil Cart (Mini Plasma)

TOLERANCES UNLESS OTHERWISE SPECIFIED
FRACTIONAL ±1/64
2 PLC. DEC. ±.01
3PLC. DEC. ±.001
ANGULAR ±.5°
FINISH √₃₂

ENG :

USED ON :

MFG :

PATH :

QA :

F.Assy\Carts&Racks\PlasmaCart\XLCD\

SCALE : N.T.S.

SHEET : 1 OF 1

NUMBER :

XLCD200-16_02

REV: SIZE
A