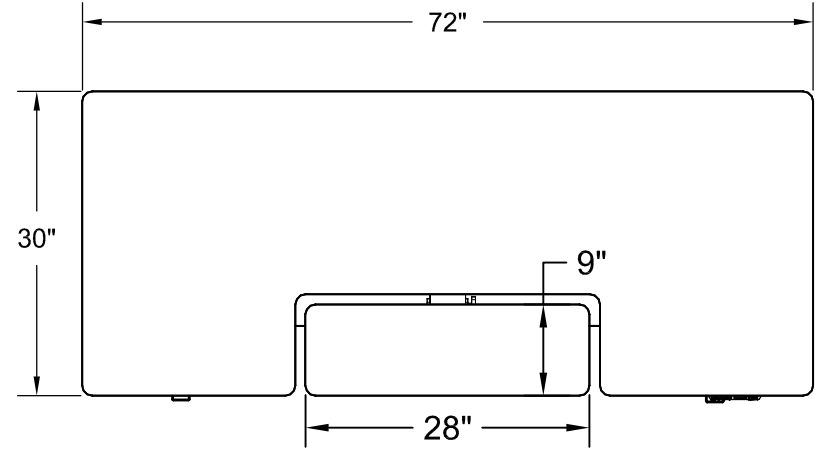


Work Surface
with T-Molding &
Cut-out for Keyboard
Tray



TOP VIEW

KA6000 Arm
with 28"Wx9"D
Laminated
Keyboard Tray
with T-Molding

(4) Ø4" Casters
(2) Locking

16"Deep
Bottom Shelf

28"-47"
Electronically
Height
Adjustable

ISOMETRIC VIEW

NOTES :

MATERIAL :

AS NOTED ABOVE

TOLERANCES UNLESS OTHERWISE SPECIFIED

FRACTIONAL ±1/64
2 PLC. DEC. ±.01
3PLC. DEC. ±.001
ANGULAR ±.5°
FINISH ∇

DRAWN BY : PR/YN

DATE: 01/24/13

DESCRIPTION :

Single Tier Cart

A P P R O V E D

USED ON :

ENG :

MFG :

QA :

PATH :

\\F.ASSY\MAXFLEX\Single Tier\ST7200\7230\

NUMBER :

ST7230_T_CO_1701_0_0_0_B_02

SCALE : N.T.S.

SHEET : 1 OF 1