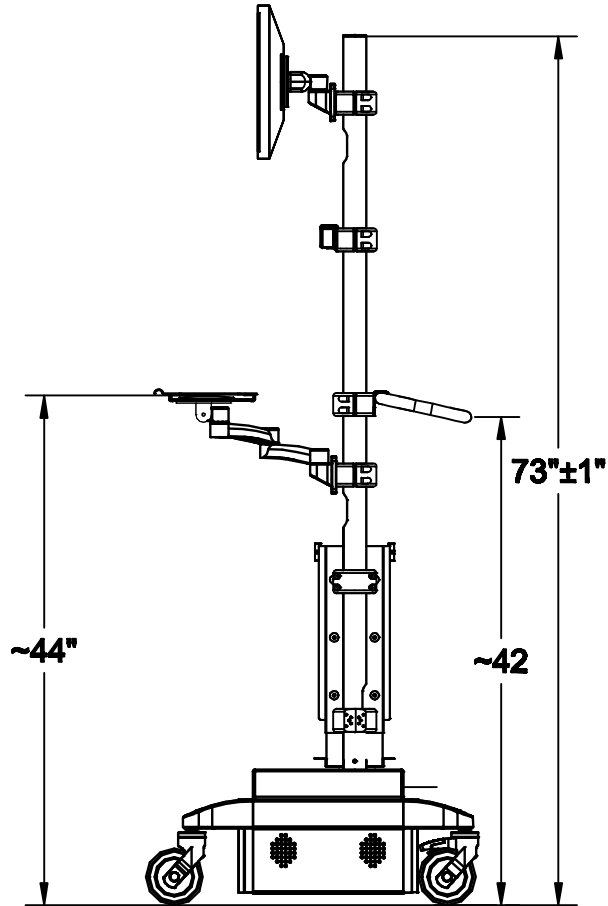
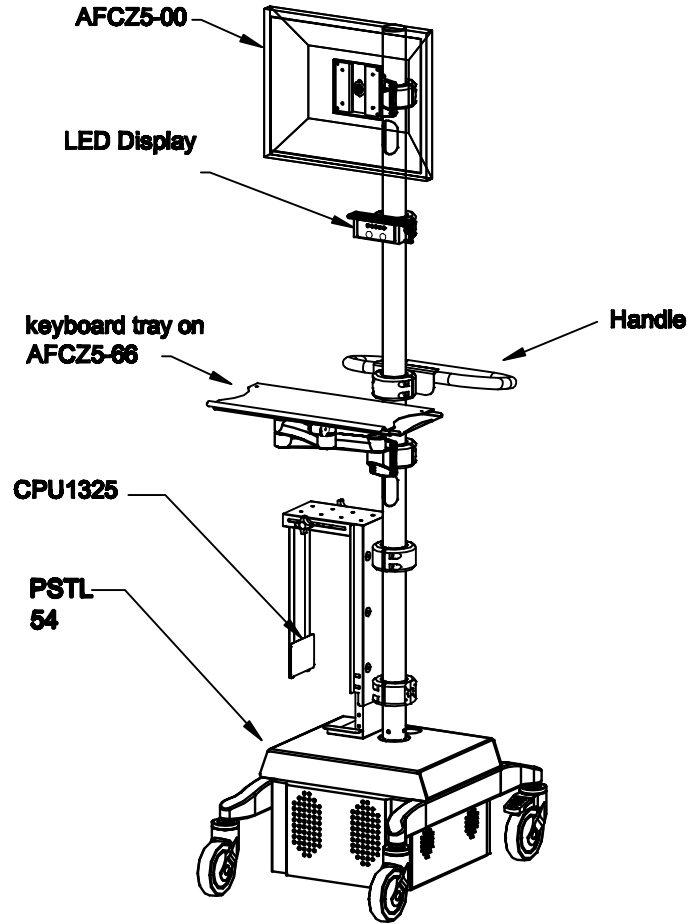


SIDE VIEW



ISOMETRIC VIEW



NOTES :	MATERIAL :	DRAWN BY: GMBD/MB/MC	DATE: 3/11/20	DESCRIPTION :	
	TOLERANCES UNLESS OTHERWISE SPECIFIED FRACTIONAL ±1/64 2 PLC. DEC. ±.01 3 PLC. DEC. ±.001 ANGULAR FINISH	APPROVED		Mobile Pole Cart	
		ENG :		USED ON :	
		MFG :		PATH :	
		QA :		MPCBATTERY	
		SCALE: ~3/4" = 1' - 0"		PDF NAME:	
		SHEET: 1 OF 2		MPC272_910_FZ_KBZ_H_C13_PS54_01	
				SIZE A4	