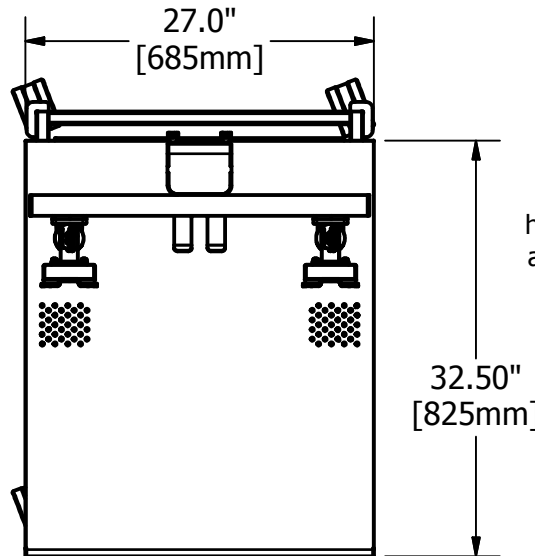


REF # : 500393798

AFC Par # : US_AF2732_SS_2F_1LC_01 Rev 1

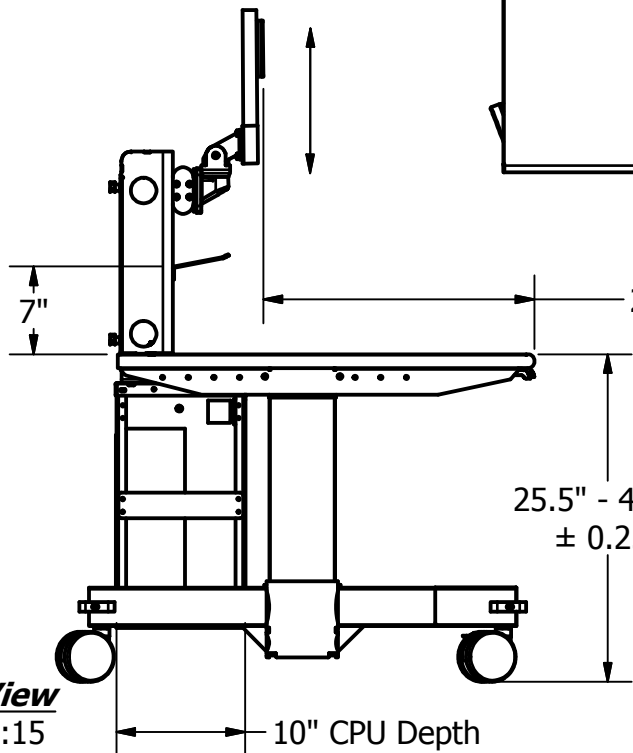
Top View
Scale 1:15



(2)AFCZ5-00
VESA 75/100
compliant monitor
holders with tilt, pan
and no tool required
height adjustment
on 26.5" bar

Metal Worksurface with
powder coat finish+
Stainless Steel Cover Top

Scanner Holder
Connected with Screws



Holes for additional
accessories

(4)Corner Guard (Gray)+Stainless
steel front leg cover

Side View
Scale 1:15

ISO View
Scale 1:12

NOTES:
Final Design May Vary

Tolerances:
Height ±1"
Surface Dims. ± 0.5"

SHEET 1 OF 2
SCALE: As Shown

DATE: 4/14/2021

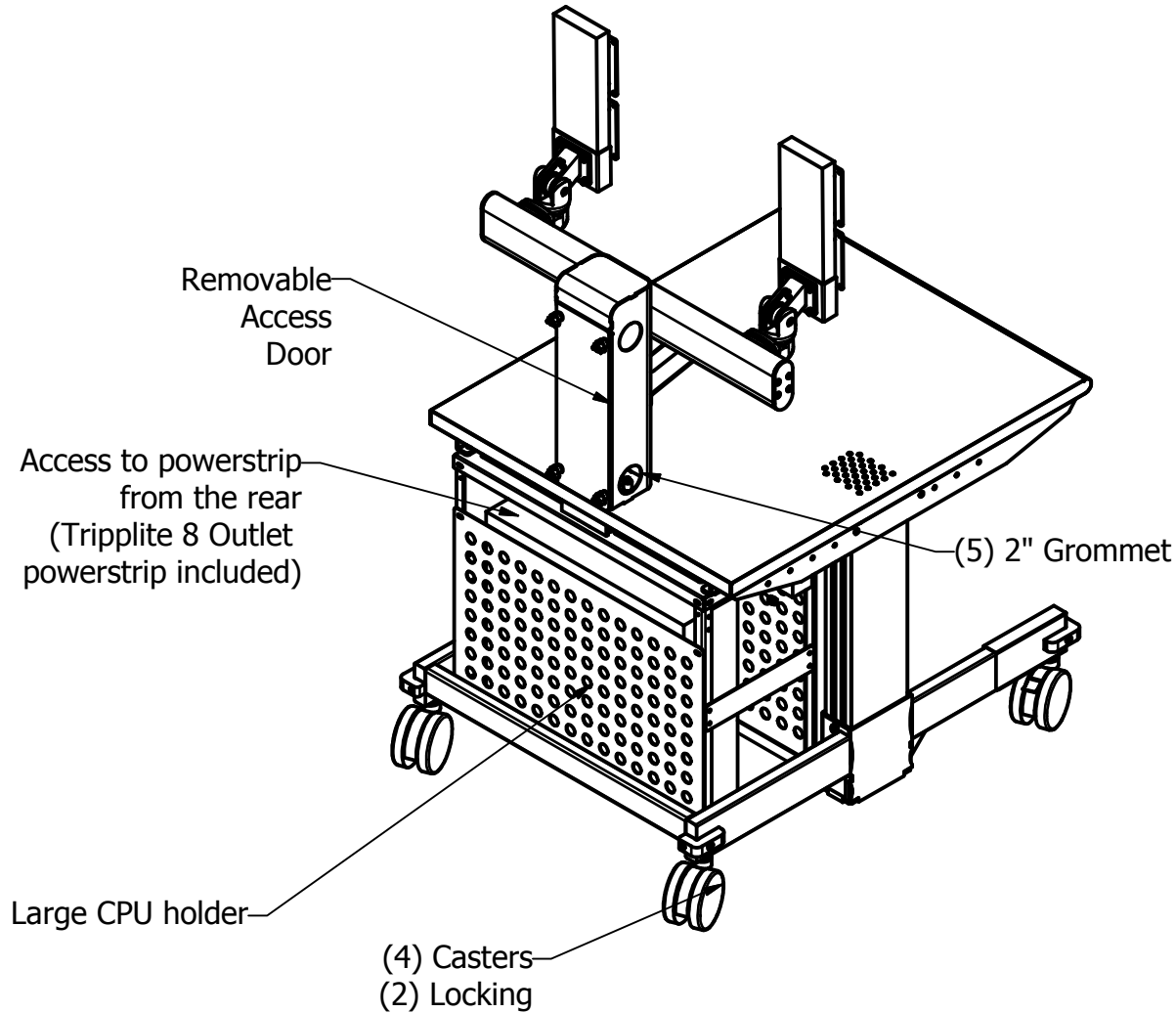
DRAWN BY: RR

DESCRIPTION:

P/N: US_AF2732_SS_2F_1LC_01 Rev 1.idw

REF # : 500393798

AFC Par # : US_AF2732_SS_2F_1LC_01 Rev 1



NOTES:
Final Design May Vary

Tolerances:
Height $\pm 1"$
Surface Dims. $\pm 0.5"$

SHEET 2 OF 2
SCALE: As Shown

DATE: 4/14/2021

DRAWN BY: RR

DESCRIPTION:

P/N: US_AF2732_SS_2F_1LC_01 Rev 1.idw