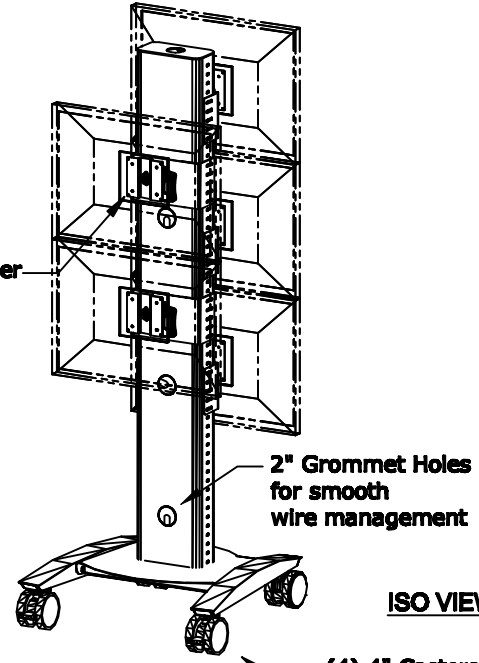
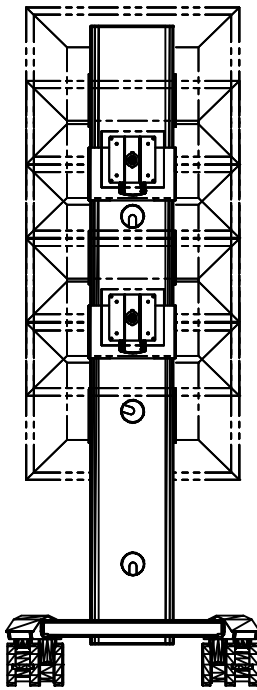


TOP VIEW

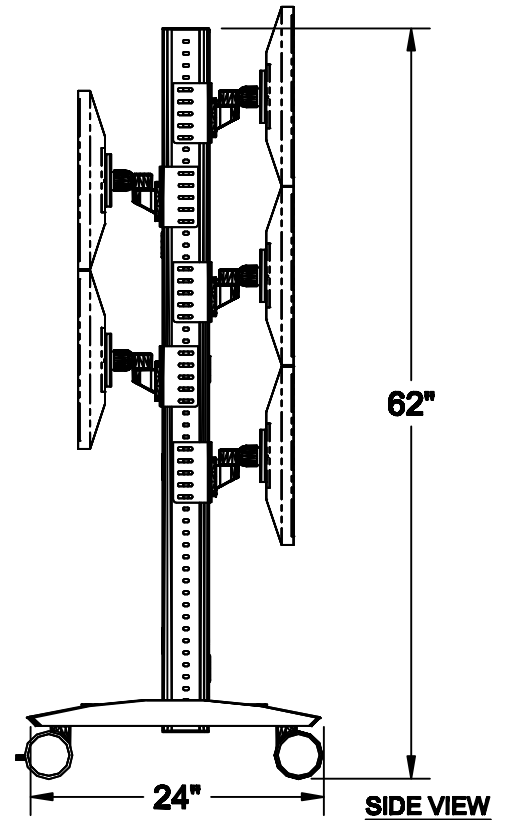
(5) Monitor Holder
AFCZ500
VESA 75/100



ISO VIEW



FRONT VIEW



SIDE VIEW

Note : Concept Drawing Only Final
Design may vary
Dim. Tolerances ±1/4"

DRAWN BY: LV

DATE: 10/06/2016

DESCRIPTION :

2x3 Monitor XLCD-200 Standard

APPROVED

SKU NUMBER :
772666

PATH :
Cart & Racking/Plasma Cart/MLCD

NUMBER :
MLCD200_2FZ5_3FZ5

REV: SIZE
A

TOLERANCES UNLESS OTHERWISE SPECIFIED
FRACTIONAL ±1/64
2 PLC. DEC. ±.01
3PLC. DEC. ±.001
ANGULAR
FINISH



SCALE : N.T.S.

SHEET : 1 OF 1