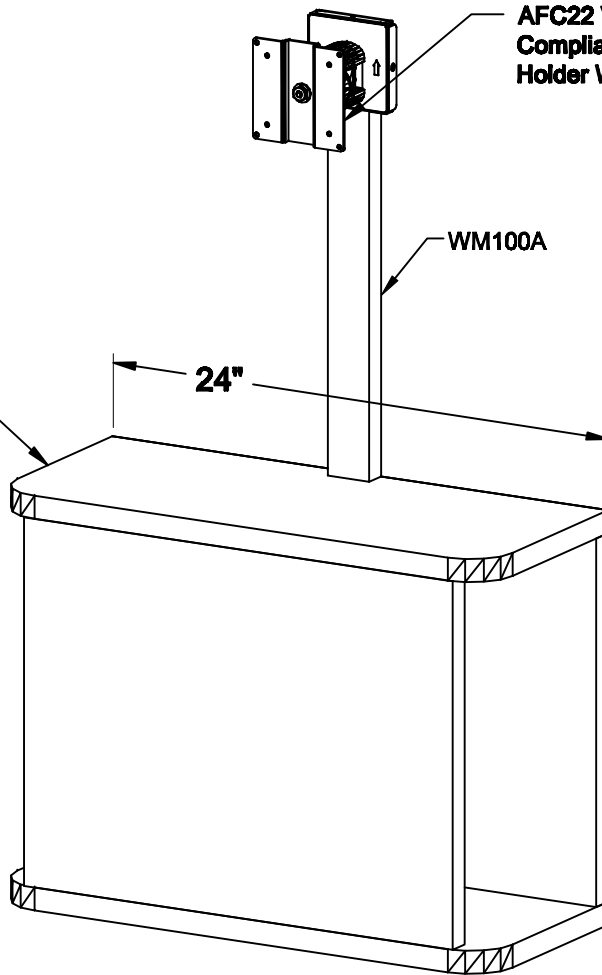


AFC22 VESA 75/100
Compliant Monitor
Holder Wall Mount

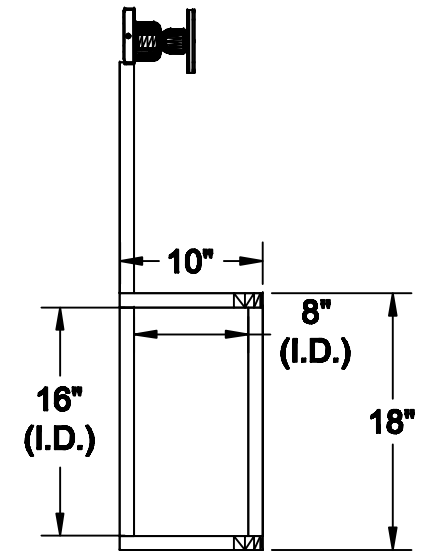
WM100A

WorkSurface 24"Wx10"D
with T-Molding

24"



ISOMETRIC VIEW



SIDE VIEW

NOTES :

Customer has to make sure that their wall is strong enough to hold this cabinet unit and its load.

MATERIAL :

TOLERANCES UNLESS OTHERWISE SPECIFIED

FRACTIONAL ±1/64
2 PLC. DEC. ±.01
3PLC. DEC. ±.001

ANGULAR
FINISH



DRAWN BY: MKYN

DATE: 06/18/12

DESCRIPTION :

Wall Mount Cabinet

APPROVED

SKU NUMBER :

772381

ENG :

MFG :

QA :

PATH :

Final Assemblies\Cabinetry\WallMount

PDF NAME:

Cabinet 241018_01

REV: SIZE

. A

NOT TO SCALE

SHEET : 1 OF 1