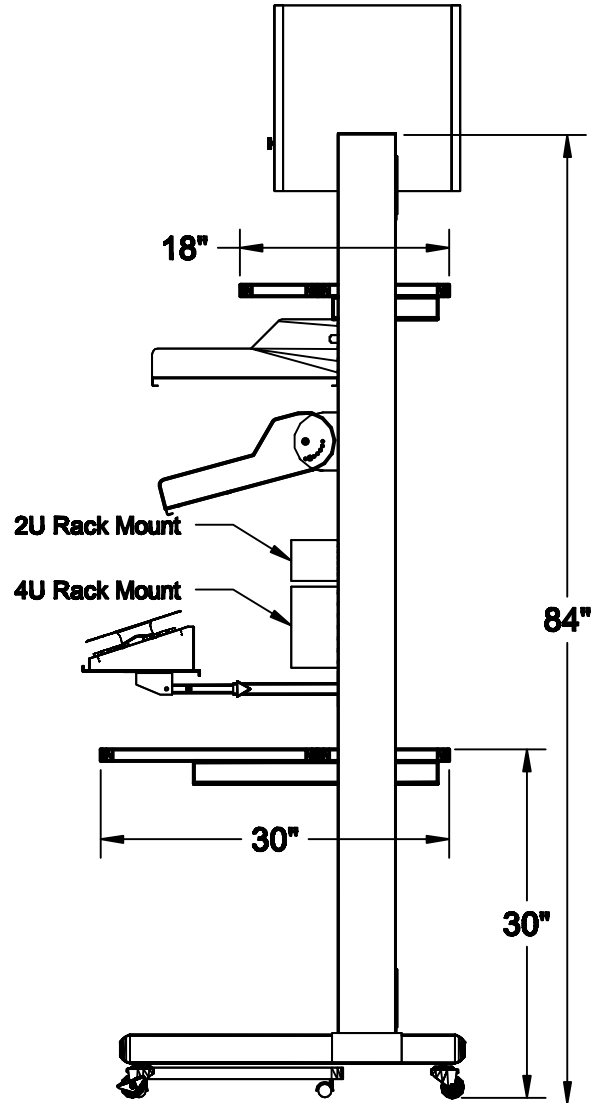


ISOMETRIC VIEW



SIDE VIEW

MATERIAL : .	DRAWN BY: BD	DATE: 02/06/13	DESCRIPTION :
	A P P R O V E D		Smart Rack
TOLERANCES UNLESS OTHERWISE SPECIFIED FRACTIONAL ±1/64 2 PLC. DEC. ±.01 3PLC. DEC. ±.001 ANGULAR FINISH	ENG:		SKU NUMBER : 772340
	MFG:		PATH : \\Fin.Assy\Carts\SmartRack\SR30width\
	QA:		NUMBER : SR303084_0_0_0_F_0_4Sh_01
	SCALE: ~3/4" = 1' - 0"	SHEET: 1 OF 1	REV: SIZE . A