

Monitor Holder Plate  
VESA 75/100  
Compliant

Monitor Arm

Pneumatically height adjustable arm with lock for varying loads

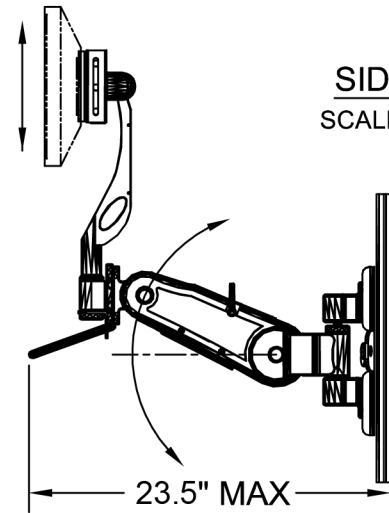
Handle

Wall mount track

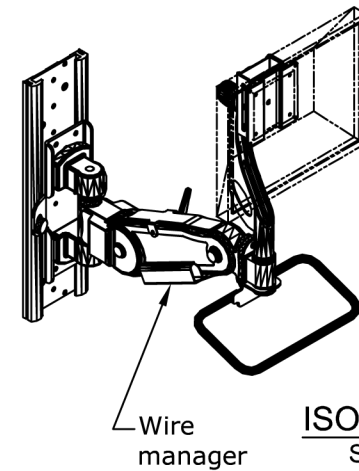
18"

Mounted to Rigid Wall

ISOMETRIC VIEW



SIDE VIEW  
SCALE: 1" = 1' - 0"



Wire manager

ISOMETRIC VIEW  
SCALE: ~1" = 1' - 0"

NOTES :

MATERIAL :

DRAWN BY: PR/BD/YE

DATE: 2/14/19

DESCRIPTION :

A P P R O V E D

AFC 7808

TOLERANCES UNLESS OTHERWISE SPECIFIED

ENG :

USED ON :

FRACTIONAL ±1/64

MFG :

2 PLC. DEC. ±.01

QA :

PATH :  
\\Fin.Assy\WallMount\AFC7808\

3 PLC. DEC. ±.001

ANGULAR

PDF NAME:  
WM18\_AFC7808M\_01

FINISH

±.5°  
32

SCALE: ~1-1/2" = 1' - 0" SHEET: 1 OF 1

REV: SIZE  
A